

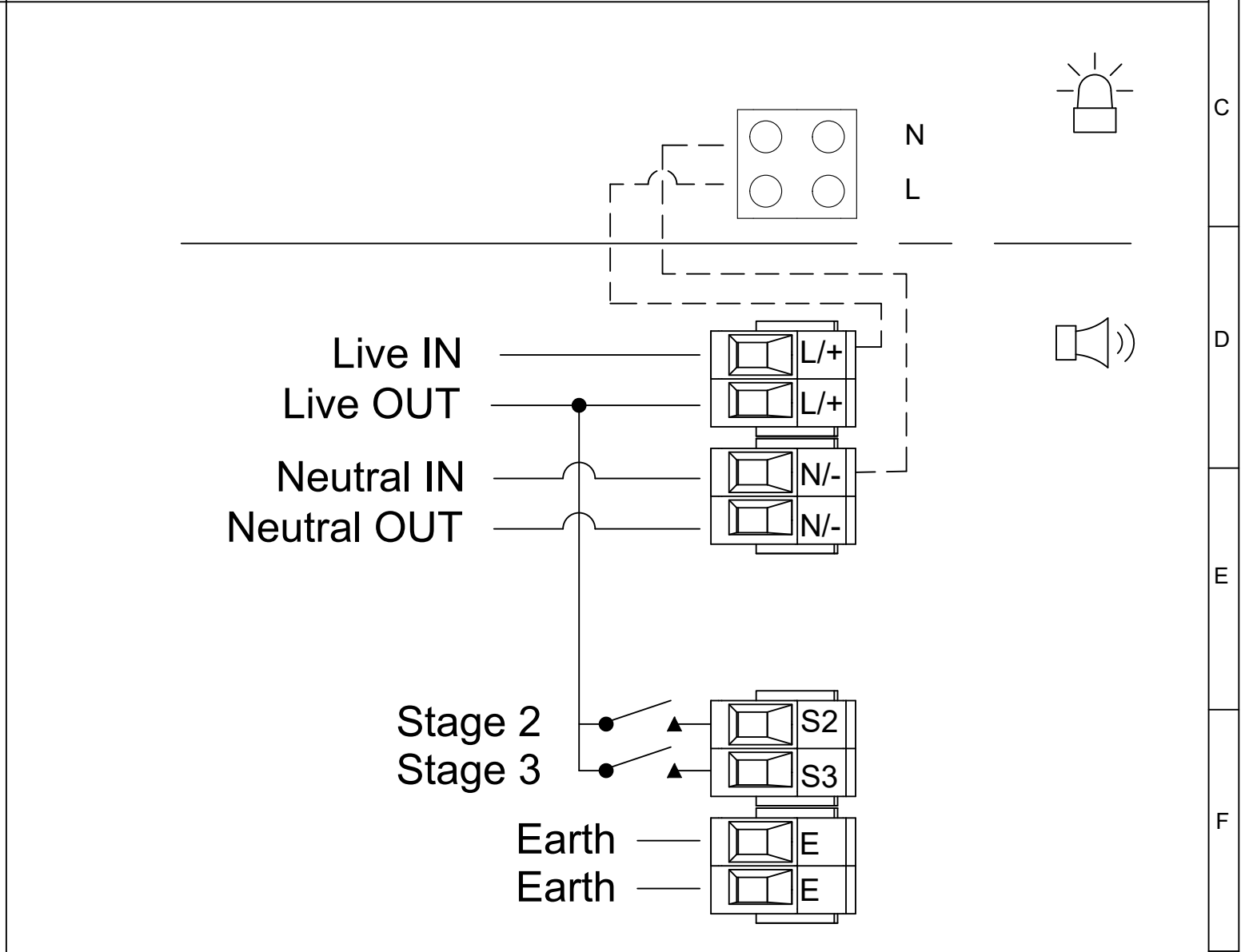
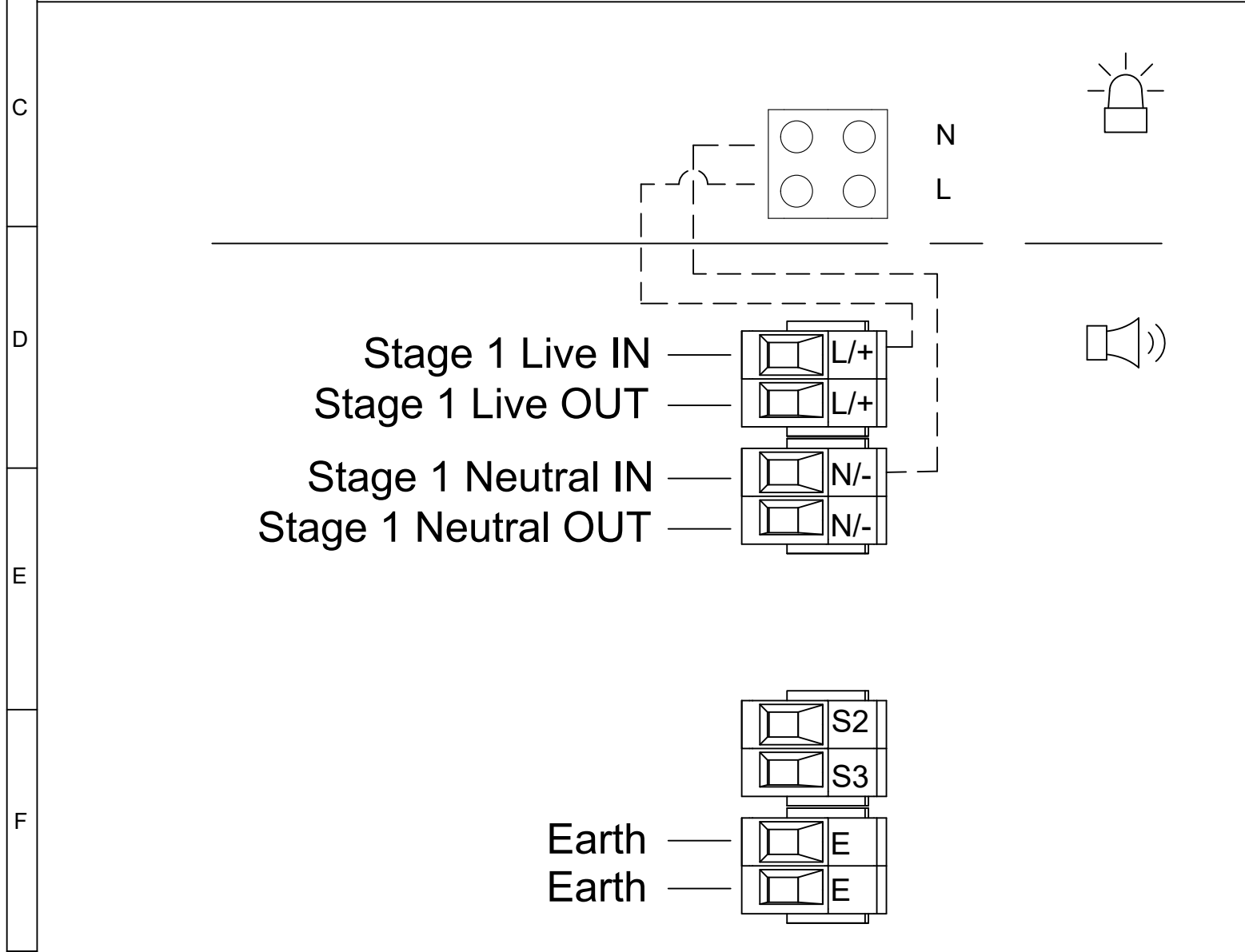
1	2	3	4	5	6	7	8	9	10
							ISSUE	MOD No.	REASON - INITIAL - DATE
							1		INTRODUCTION RSR- 08/08/2024

— — WIRING LINKING BEACON & SOUNDER
FACTORY FITTED

SWITCHES FOR STAGE OPERATION
CUSTOMER SUPPLIED

Linked Sounder & Beacon Activation (Default)

Single Stage Configuration				Config.: 1a	Three/Four Stage Configuration				Config.: 1b
Stage 1: Connect Stage 1 Live to terminal 'L/+' & Stage 1 Neutral to terminal 'N/-'					Stage 1: Connect Stage 1 Live to terminal 'L/+' & Stage 1 Neutral to terminal 'N/-'				
					Stage 2: Connect Stage 1 Live to terminal 'L/+' & Stage 1 Neutral to terminal 'N/-' and link terminal 'S2' to Stage 1 Live				
					Stage 3: Connect Stage 1 Live to terminal 'L/+' & Stage 1 Neutral to terminal 'N/-' and link terminal 'S3' to Stage 1 Live				
					Stage 4: Connect Stage 1 Live to terminal 'L/+' & Stage 1 Neutral to terminal 'N/-' and link both terminals 'S2' & 'S3' to Stage 1 Live				



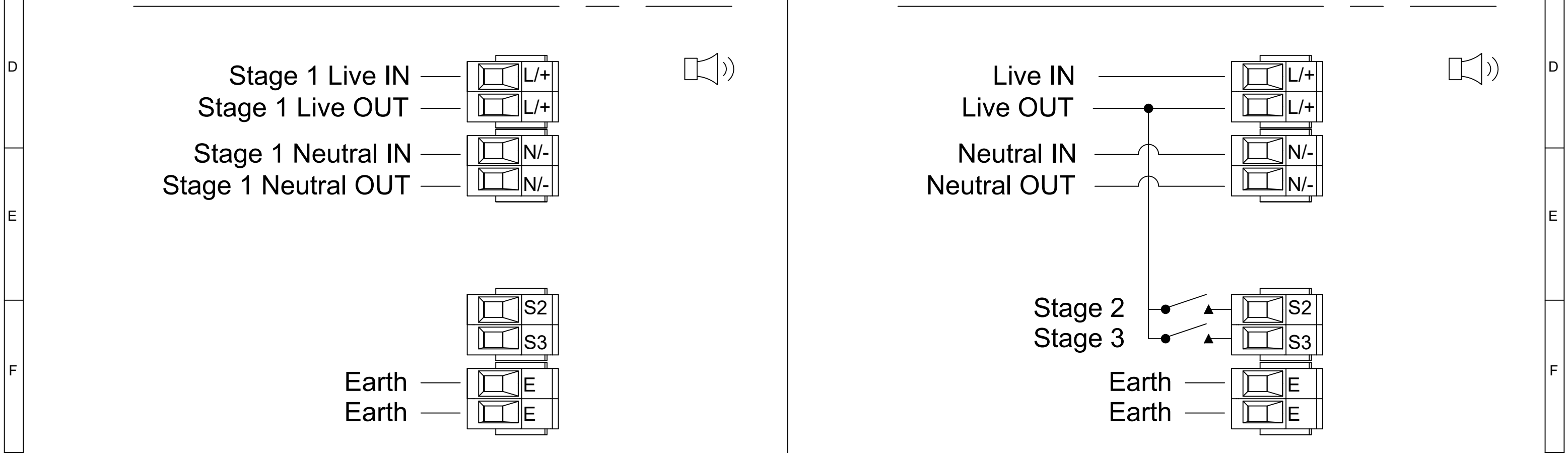
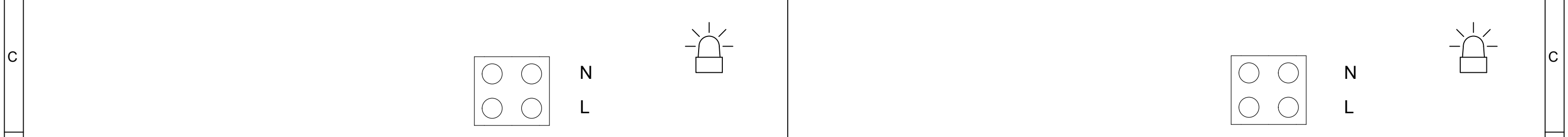
DRAWING TO BS8888:2000 GEOMETRIC TOLERANCES TO ISO1101:1983 LINEAR DIMENSIONAL TOLS ANGULAR DIMENSIONAL TOLS	DRAWN	DATE	SURFACE FINISH	WEIGHT (Kg)	THIS DRAWING AND ANY INFORMATION OR DESCRIPTIVE MATTER THEREIN IS COMMUNICATED IN CONFIDENCE AND IS THE COPYRIGHT PROPERTY OF EUROPEAN SAFETY SYSTEMS LTD. NEITHER THE WHOLE OR ANY EXTRACT MAY BE DISCLOSED, LOANED, COPIED OR USED FOR MANUFACTURING OR TENDERING PURPOSES WITHOUT THEIR WRITTEN CONSENT.	 warning signals EUROPEAN SAFETY SYSTEMS LTD IMPRESS HOUSE MANSELL ROAD ACTON LONDON W3 7QH WWW.E2S.COM	ALL DIMENSIONS IN MM IF IN DOUBT, ASK - DO NOT SCALE			A3
	J.SPILLER	11/06/2021					MATERIAL			
	STANDARDS	CHECKED	DATE	ALTERNATIVE MATERIAL			SCALE	SHEET	DRAWING NUMBER	
AB105 RANGE	R.N.POTTS	11/06/2021			© EUROPEAN SAFETY SYSTEMS LTD. AS PER LATEST DATE OF ISSUE SHOWN ABOVE		NTS	1 OF 2	D118-06-005	
	APPROVED	DATE								
	R.N.POTTS	11/06/2021								

SWITCHES FOR STAGE OPERATION
CUSTOMER SUPPLIED

Independent Sounder & Beacon Activation (Remove Link Wires)

Single Stage Configuration	Config.: 2a	Three/Four Stage Configuration	Config.: 2b
Stage 1: Connect Stage 1 Live to terminal 'L/+' & Stage 1 Neutral to terminal 'N/-'		Stage 1: Connect Stage 1 Live to terminal 'L/+' & Stage 1 Neutral to terminal 'N/-'	
		Stage 2: Connect Stage 1 Live to terminal 'L/+' & Stage 1 Neutral to terminal 'N/-' and link terminal 'S2' to Stage 1 Live	

		Stage 3: Connect Stage 1 Live to terminal 'L/+' & Stage 1 Neutral to terminal 'N/-' and link terminal 'S3' to Stage 1 Live	
		Stage 4: Connect Stage 1 Live to terminal 'L/+' & Stage 1 Neutral to terminal 'N/-' and link both terminals 'S2' & 'S3' to Stage 1 Live	



DRAWING TO BS8888:2000 GEOMETRIC TOLERANCES TO ISO1101:1983 LINEAR DIMENSIONAL TOLS ANGULAR DIMENSIONAL TOLS	DRAWN	DATE	SURFACE FINISH	WEIGHT (Kg)	THIS DRAWING AND ANY INFORMATION OR DESCRIPTIVE MATTER THEREIN IS COMMUNICATED IN CONFIDENCE AND IS THE COPYRIGHT PROPERTY OF EUROPEAN SAFETY SYSTEMS LTD. NEITHER THE WHOLE OR ANY EXTRACT MAY BE DISCLOSED, LOANED, COPIED OR USED FOR MANUFACTURING OR TENDERING PURPOSES WITHOUT THEIR WRITTEN CONSENT.	 EUROPEAN SAFETY SYSTEMS LTD IMPRESS HOUSE MANSELL ROAD ACTON LONDON W3 7QH WWW.E2S.COM	ALL DIMENSIONS IN MM IF IN DOUBT, ASK - DO NOT SCALE				A3	
	CHECKED	DATE	MATERIAL				TITLE AB105 SPECTRAALARM COMBINED SOUNDER & BEACON WIRING SHCEMATIC					
	APPROVED	DATE	ALTERNATIVE MATERIAL				SCALE	SHEET	DRAWING NUMBER			
STANDARDS	R.N.POTTS	11/06/2021			NTS	2 OF 2	D118-06-005					
AB105 RANGE	R.N.POTTS	11/06/2021			© EUROPEAN SAFETY SYSTEMS LTD. AS PER LATEST DATE OF ISSUE SHOWN ABOVE							