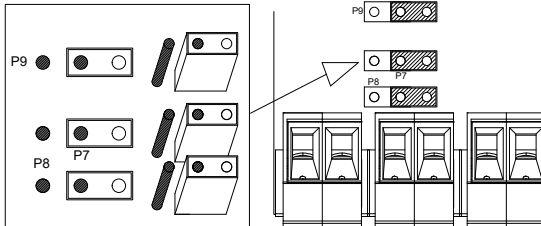
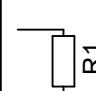


1	2	3	4	5	6	7	8	9	10
<div style="display: flex; justify-content: space-between;"> <div style="width: 20%;"> <p>-VE SWITCHING (DEFAULT) HEADER PINS P7, P8 & P9 NOT CONNECTED</p>  </div> <div style="width: 30%; border: 1px solid black; padding: 5px;"> <p>OPTIONAL LINE MONITORING RESISTOR, CUSTOMER SUPPLIED, RECOMMENDED MINIMUM VALUES: 14V MAX SYSTEM = 120Ω MIN, 2W MIN OR 1KΩ MIN, 0.5W MIN 28V MAX SYSTEM = 470Ω MIN, 2W MIN OR 2.4KΩ MIN, 0.5W MIN</p>  </div> <div style="width: 30%; border: 1px solid black; padding: 5px;"> <p>----- WIRING LINKING BEACON & SOUNDER FACTORY FITTED</p> </div> </div>							ISSUE	MOD No.	REASON - INITIAL - DATE
							1		INTRODUCTION RSR- 08/08/2024

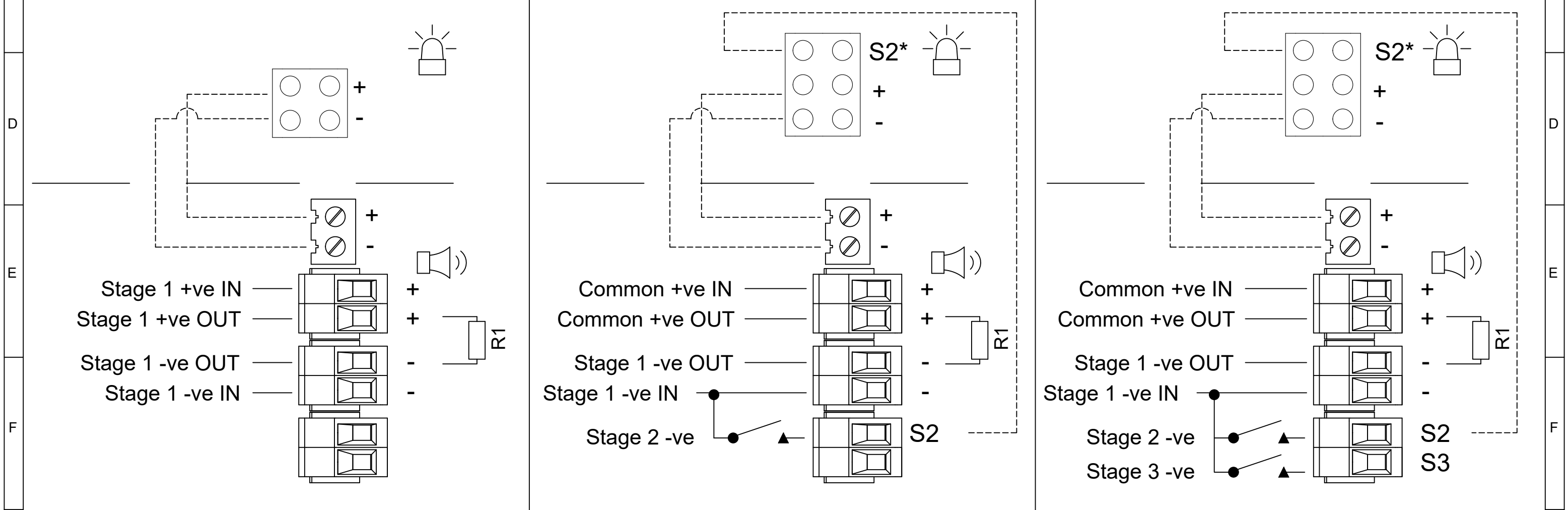
DC configuration -Linked Sounder & Beacon Activation (Default) / -ve Switching (Default P7, P8 & P9 setting)


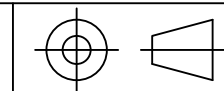
Single Stage Configuration	Config.: 1a	Two Stage Configuration	Config.: 1b	Three/Four Stage Configuration	Config.: 1c
-----------------------------------	-------------	--------------------------------	-------------	---------------------------------------	-------------

Line Monitoring	Common Positive (-ve Switching)	Common Positive (-ve Switching)
------------------------	----------------------------------------	----------------------------------------

<p>Stage 1: Apply Power to Stage 1 +ve & Stage 1 -ve</p>	<p>Stage 1: Apply Power to Common +ve & Stage 1 -ve Stage 2: Apply Power to Common +ve & Stage 1 -ve & connect Stage 2 -ve to Stage 1 -ve</p>	<p>Stage 1: Apply Power to Common +ve & Stage 1 -ve Stage 2: Apply Power to Common +ve & Stage 1 -ve & connect Stage 2 -ve to Stage 1 -ve Stage 3: Apply Power to Common +ve & Stage 1 -ve & connect Stage 3 -ve to Stage 1 -ve Stage 4: Apply Power to Common +ve & Stage 1 -ve & connect Stage 2 -ve & Stage 3 -ve to Stage 1 -ve</p>
--------------------------------------------------------------	---------------------------------------------------------------------------------------------------------------------------------------------------------------	-------------------------------------------------------------------------------------------------------------------------------------------------------------------------------------------------------------------------------------------------------------------------------------------------------------------------------------------------------------------------------------

	*Stage 2 not available for RTH beacon	*Stage 2 not available for RTH beacon
--	---------------------------------------	---------------------------------------



DRAWING TO BS8888:2000 GEOMETRIC TOLERANCES TO ISO1101:1983 LINEAR DIMENSIONAL TOLS ANGULAR DIMENSIONAL TOLS	DRAWN J.SPILLER	DATE 11/06/2021	SURFACE FINISH	WEIGHT (Kg)	THIS DRAWING AND ANY INFORMATION OR DESCRIPTIVE MATTER THEREIN IS COMMUNICATED IN CONFIDENCE AND IS THE COPYRIGHT PROPERTY OF EUROPEAN SAFETY SYSTEMS LTD. NEITHER THE WHOLE OR ANY EXTRACT MAY BE DISCLOSED, LOANED, COPIED OR USED FOR MANUFACTURING OR TENDERING PURPOSES WITHOUT THEIR WRITTEN CONSENT. © EUROPEAN SAFETY SYSTEMS LTD. AS PER LATEST DATE OF ISSUE SHOWN ABOVE	 EUROPEAN SAFETY SYSTEMS LTD IMPRESS HOUSE MANSSELL ROAD ACTON LONDON W3 7QH WWW.E2S.COM	ALL DIMENSIONS IN MM IF IN DOUBT, ASK - DO NOT SCALE		A3
	CHECKED R.N.POTTS	DATE 11/06/2021	MATERIAL	TITLE AB105 SPECTRAALARM COMBINED SOUNDER & BEACON WIRING SHCEMATIC					
	STANDARDS AB105 RANGE	APPROVED R.N.POTTS	DATE 11/06/2021	ALTERNATIVE MATERIAL			SCALE NTS	SHEET 1 OF 4	DRAWING NUMBER D118-06-001

1	2	3	4	5	6	7	8	9	10
							ISSUE	MOD No.	REASON - INITIAL - DATE
							1		INTRODUCTION RSR- 08/08/2024

-VE SWITCHING (DEFAULT)
HEADER PINS P7, P8 & P9 NOT CONNECTED

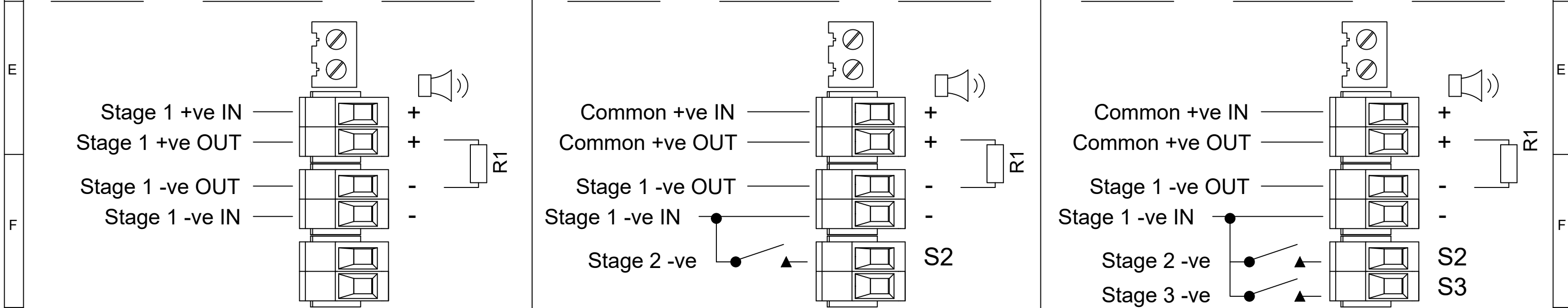
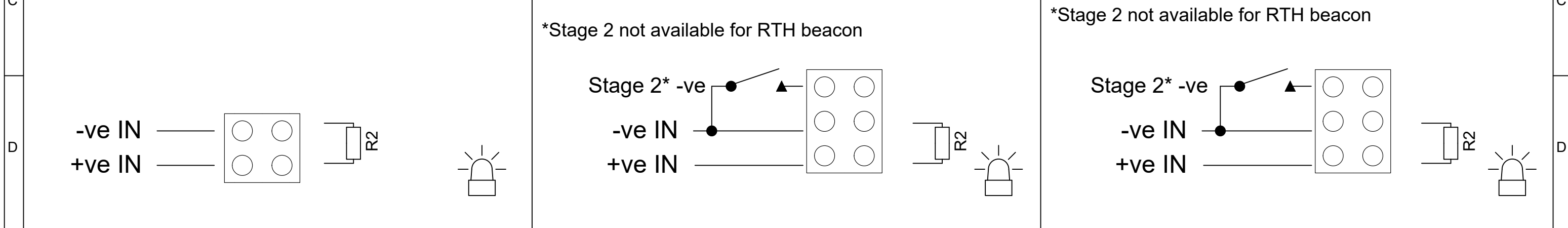
OPTIONAL LINE MONITORING RESISTOR, CUSTOMER SUPPLIED,
RECOMMENDED MINIMUM VALUES:
14V MAX SYSTEM = 120Ω MIN, 2W MIN OR 1KΩ MIN, 0.5W MIN
28V MAX SYSTEM = 470Ω MIN, 2W MIN OR 2.4KΩ MIN, 0.5W MIN

DC configuration -Independent Sounder & Beacon Activation (Remove Link Wires) / -ve Switching (Default P7, P8 & P9 setting)

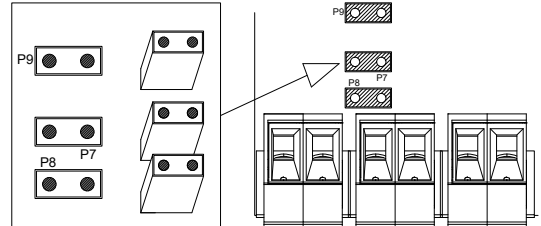
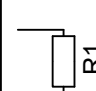
Single Stage Configuration	Config.: 2a	Two Stage Configuration	Config.: 2b	Three/Four Stage Configuration	Config.: 2c
-----------------------------------	-------------	--------------------------------	-------------	---------------------------------------	-------------

Line Monitoring	Common Positive (-ve Switching)	Common Positive (-ve Switching)
------------------------	----------------------------------------	----------------------------------------

Stage 1: Apply Power to Stage 1 -ve & Stage 1 +ve	Stage 1: Apply Power to Common +ve & Stage 1 -ve Stage 2: Apply Power to Common +ve & Stage 1 -ve & connect Stage 2 -ve to Stage 1 -ve	Stage 1: Apply Power to Common +ve & Stage 1 -ve Stage 2: Apply Power to Common +ve & Stage 1 -ve & connect Stage 2 -ve to Stage 1 -ve Stage 3: Apply Power to Common +ve & Stage 1 -ve & connect Stage 3 -ve to Stage 1 -ve Stage 4: Apply Power to Common +ve & Stage 1 -ve & connect Stage 2 -ve & Stage 3 -ve to Stage 1 -ve
---------------------------------------------------	-------------------------------------------------------------------------------------------------------------------------------------------	-------------------------------------------------------------------------------------------------------------------------------------------------------------------------------------------------------------------------------------------------------------------------------------------------------------------------------------------

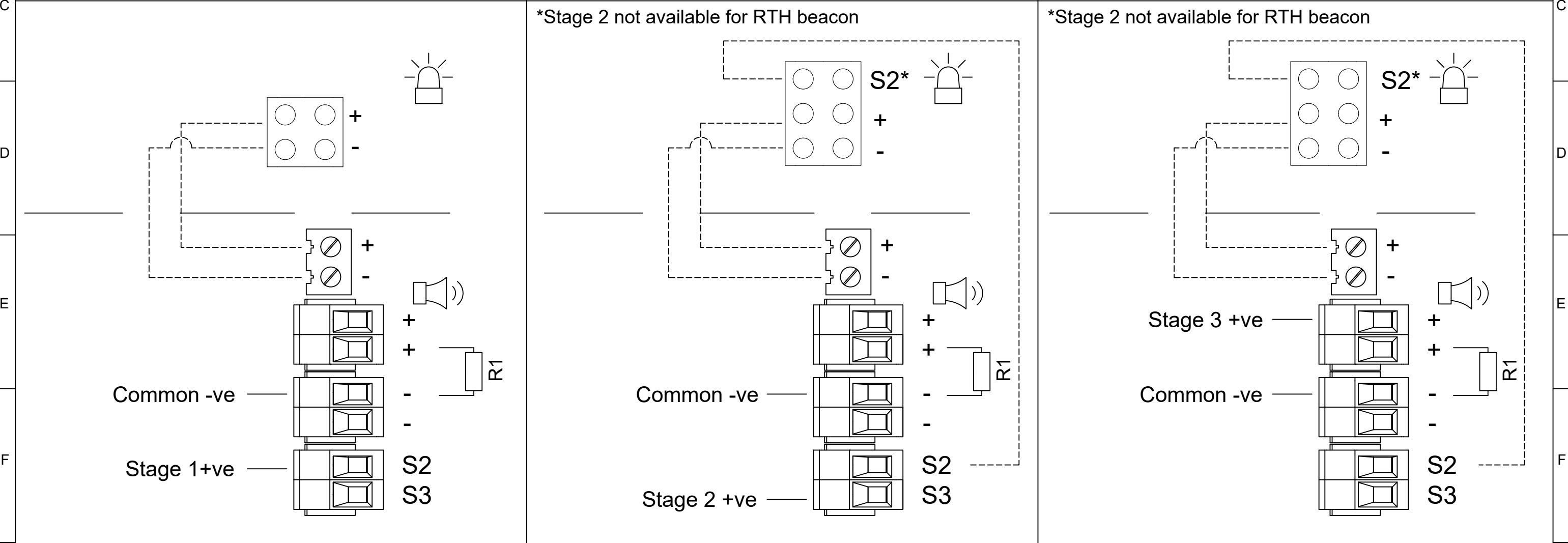



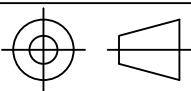
DRAWING TO BS8888:2000 GEOMETRIC TOLERANCES TO ISO1101:1983 LINEAR DIMENSIONAL TOLS ANGULAR DIMENSIONAL TOLS	DRAWN DATE J.SPILLER 11/06/2021	SURFACE FINISH WEIGHT (Kg)	MATERIAL	THIS DRAWING AND ANY INFORMATION OR DESCRIPTIVE MATTER THEREIN IS COMMUNICATED IN CONFIDENCE AND IS THE COPYRIGHT PROPERTY OF EUROPEAN SAFETY SYSTEMS LTD. NEITHER THE WHOLE OR ANY EXTRACT MAY BE DISCLOSED, LOANED, COPIED OR USED FOR MANUFACTURING OR TENDERING PURPOSES WITHOUT THEIR WRITTEN CONSENT.		ALL DIMENSIONS IN MM IF IN DOUBT, ASK - DO NOT SCALE		A3	
STANDARDS	CHECKED DATE APPROVED DATE R.N.POTTS 11/06/2021	ALTERNATIVE MATERIAL	ALTERNATIVE MATERIAL	© EUROPEAN SAFETY SYSTEMS LTD. AS PER LATEST DATE OF ISSUE SHOWN ABOVE	EUROPEAN SAFETY SYSTEMS LTD IMPRESS HOUSE MANSELL ROAD ACTON LONDON W3 7QH WWW.E2S.COM	TITLE AB105 SPECTRAALARM COMBINED SOUNDER & BEACON WIRING SHCEMATIC	SCALE NTS	SHEET 2 OF 4	DRAWING NUMBER D118-06-001

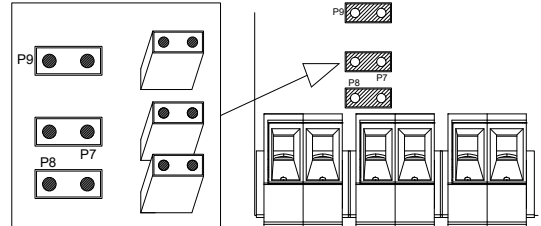
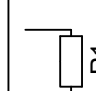
	1	2	3	4	5	6	7	8	9	10	
A	<div style="display: flex; justify-content: space-between;"> <div style="width: 25%;"> <p>+VE SWITCHING CUSTOMER TO MOVE HEADER PINS P7, P8 & P9 SO THEY ARE CONNECTED</p>  </div> <div style="width: 25%; border: 1px solid black; padding: 5px;"> <p>OPTIONAL LINE MONITORING RESISTOR, CUSTOMER SUPPLIED, RECOMMENDED MINIMUM VALUES: 14V MAX SYSTEM = 120Ω MIN, 2W MIN OR 1KΩ MIN, 0.5W MIN 28V MAX SYSTEM = 470Ω MIN, 2W MIN OR 2.4KΩ MIN, 0.5W MIN</p>  </div> <div style="width: 25%; border: 1px solid black; padding: 5px;"> <p>----- WIRING LINKING BEACON & SOUNDER FACTORY FITTED</p> </div> </div>							ISSUE	MOD No.	REASON - INITIAL - DATE	A
								1		INTRODUCTION RSR- 08/08/2024	

Linked Sounder & Beacon Activation (Default) / +ve Switching (Customer to set P7, P8 & P9 as above)

	Config.: 5a	Config.: 5b	Config.: 5c
Stage 1 Configuration	Stage 2 Configuration	Stage 3 Configuration	Stage 3 Configuration
Common Negative (+ve Switching)			
<p>Single Stage Line Monitoring, Maximum Monitoring Voltage 4Vdc Not to be used for reverse polarity line monitoring Stage 1: Apply Stage 1 +ve to terminal 'S2' & Common -ve to terminal '-'</p>	<p>Single Stage Line Monitoring, Maximum Monitoring Voltage 4Vdc Not to be used for reverse polarity line monitoring Stage 2: Apply Stage 2 +ve to terminal 'S3' & Common -ve to terminal '-'</p>	<p>Single Stage Line Monitoring, Maximum Monitoring Voltage 4Vdc Not to be used for reverse polarity line monitoring Stage 3: Apply Stage 3 +ve to terminal '+' & Common -ve to terminal '-'</p>	



<p>DRAWING TO BS8888:2000 GEOMETRIC TOLERANCES TO ISO1101:1983 LINEAR DIMENSIONAL TOLS ANGULAR DIMENSIONAL TOLS</p>	<p>DRAWN DATE J.SPILLER 11/06/2021</p>	<p>SURFACE FINISH WEIGHT (Kg)</p>	<p>THIS DRAWING AND ANY INFORMATION OR DESCRIPTIVE MATTER THEREIN IS COMMUNICATED IN CONFIDENCE AND IS THE COPYRIGHT PROPERTY OF EUROPEAN SAFETY SYSTEMS LTD. NEITHER THE WHOLE OR ANY EXTRACT MAY BE DISCLOSED, LOANED, COPIED OR USED FOR MANUFACTURING OR TENDERING PURPOSES WITHOUT THEIR WRITTEN CONSENT.</p> <p>© EUROPEAN SAFETY SYSTEMS LTD. AS PER LATEST DATE OF ISSUE SHOWN ABOVE</p>	 warning signals EUROPEAN SAFETY SYSTEMS LTD IMPRESS HOUSE MANSELL ROAD ACTON LONDON W3 7QH WWW.E2S.COM	<p>ALL DIMENSIONS IN MM IF IN DOUBT, ASK - DO NOT SCALE</p>		<p>A3</p>	
STANDARDS	<p>CHECKED DATE R.N.POTTS 11/06/2021</p>	MATERIAL			TITLE	<p>AB105 SPECTRAALARM COMBINED SOUNDER & BEACON WIRING SHCEMATIC</p>		
AB105 RANGE	<p>APPROVED DATE R.N.POTTS 11/06/2021</p>	ALTERNATIVE MATERIAL			SCALE	SHEET	DRAWING NUMBER	
			NTS	3 OF 4	D118-06-001			

	1	2	3	4	5	6	7	8	9	10	
A	<p>+VE SWITCHING CUSTOMER TO MOVE HEADER PINS P7, P8 & P9 SO THEY ARE CONNECTED</p> 							ISSUE	MOD No.	REASON - INITIAL - DATE	A
								1		INTRODUCTION RSR- 08/08/2024	
<p style="text-align: center;">OPTIONAL LINE MONITORING RESISTOR, CUSTOMER SUPPLIED, RECOMMENDED MINIMUM VALUES: 14V MAX SYSTEM = 120Ω MIN, 2W MIN OR 1KΩ MIN, 0.5W MIN 28V MAX SYSTEM = 470Ω MIN, 2W MIN OR 2.4KΩ MIN, 0.5W MIN</p> 											

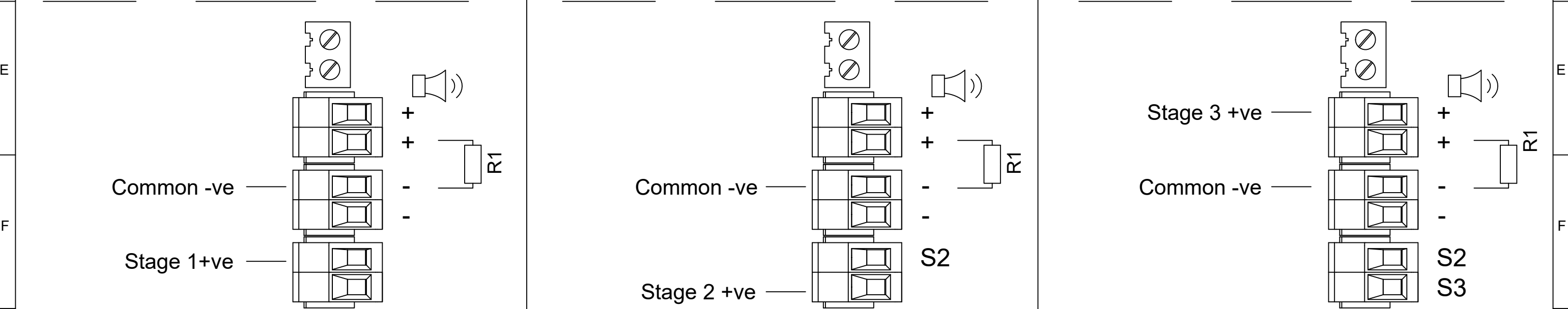
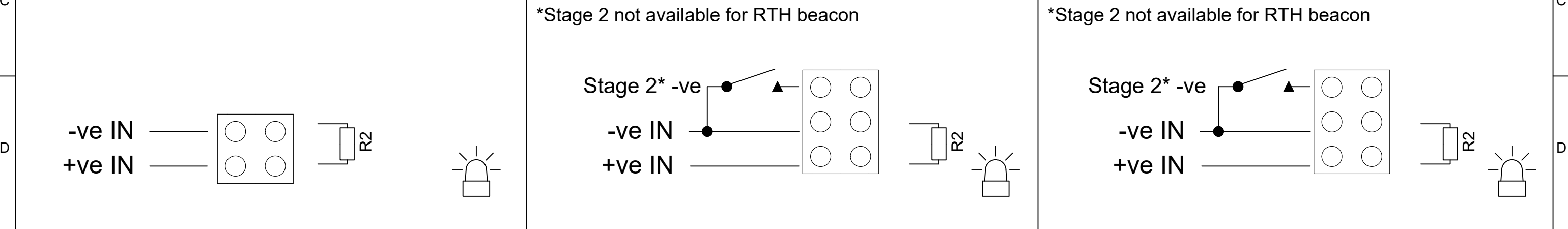
Independent Sounder & Beacon Activation (Remove Link Wires) / +ve Switching (Customer to set P7, P8 & P9 as above)


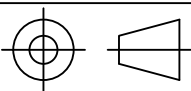
Stage 1 Configuration	Config.: 6a	Stage 2 Configuration	Config.: 6b	Stage 3 Configuration	Config.: 6c
------------------------------	-------------	------------------------------	-------------	------------------------------	-------------

Common Negative (+ve Switching)

<p>Single Stage Line Monitoring, Maximum Monitoring Voltage 4Vdc Not to be used for reverse polarity line monitoring Stage 1: Apply Stage 1 +ve to terminal 'S2' & Common -ve to terminal '-'</p>	<p>Single Stage Line Monitoring, Maximum Monitoring Voltage 4Vdc Not to be used for reverse polarity line monitoring Stage 2: Apply Stage 2 +ve to terminal 'S3' & Common -ve to terminal '-'</p>	<p>Single Stage Line Monitoring, Maximum Monitoring Voltage 4Vdc Not to be used for reverse polarity line monitoring Stage 3: Apply Stage 3 +ve to terminal '+' & Common -ve to terminal '-'</p>
---------------------------------------------------------------------------------------------------------------------------------------------------------------------------------------------------------------	---------------------------------------------------------------------------------------------------------------------------------------------------------------------------------------------------------------	--------------------------------------------------------------------------------------------------------------------------------------------------------------------------------------------------------------

*Stage 2 not available for RTH beacon



<p>DRAWING TO BS8888:2000 GEOMETRIC TOLERANCES TO ISO1101:1983 LINEAR DIMENSIONAL TOLS ANGULAR DIMENSIONAL TOLS</p> <p>STANDARDS</p>	<p>DRAWN DATE</p> <p>J.SPILLER 11/06/2021</p>	<p>SURFACE FINISH</p>	<p>WEIGHT (Kg)</p>	<p>THIS DRAWING AND ANY INFORMATION OR DESCRIPTIVE MATTER THEREIN IS COMMUNICATED IN CONFIDENCE AND IS THE COPYRIGHT PROPERTY OF EUROPEAN SAFETY SYSTEMS LTD. NEITHER THE WHOLE OR ANY EXTRACT MAY BE DISCLOSED, LOANED, COPIED OR USED FOR MANUFACTURING OR TENDERING PURPOSES WITHOUT THEIR WRITTEN CONSENT.</p> <p>© EUROPEAN SAFETY SYSTEMS LTD. AS PER LATEST DATE OF ISSUE SHOWN ABOVE</p>	 <p>EUROPEAN SAFETY SYSTEMS LTD IMPRESS HOUSE MANSELL ROAD ACTON LONDON W3 7QH WWW.E2S.COM</p>	<p>ALL DIMENSIONS IN MM IF IN DOUBT, ASK - DO NOT SCALE</p>		<p>A3</p>
	<p>CHECKED DATE</p> <p> 11/06/2021</p>	<p>MATERIAL</p>	<p>TITLE AB105 SPECTRAALARM COMBINED SOUNDER & BEACON WIRING SHCEMATIC</p>					
	<p>APPROVED DATE</p> <p>R.N.POTTS 11/06/2021</p>	<p>ALTERNATIVE MATERIAL</p>	<p>SCALE</p> <p>NTS</p>			<p>SHEET</p> <p>4 OF 4</p>	<p>DRAWING NUMBER</p> <p>D118-06-001</p>	