

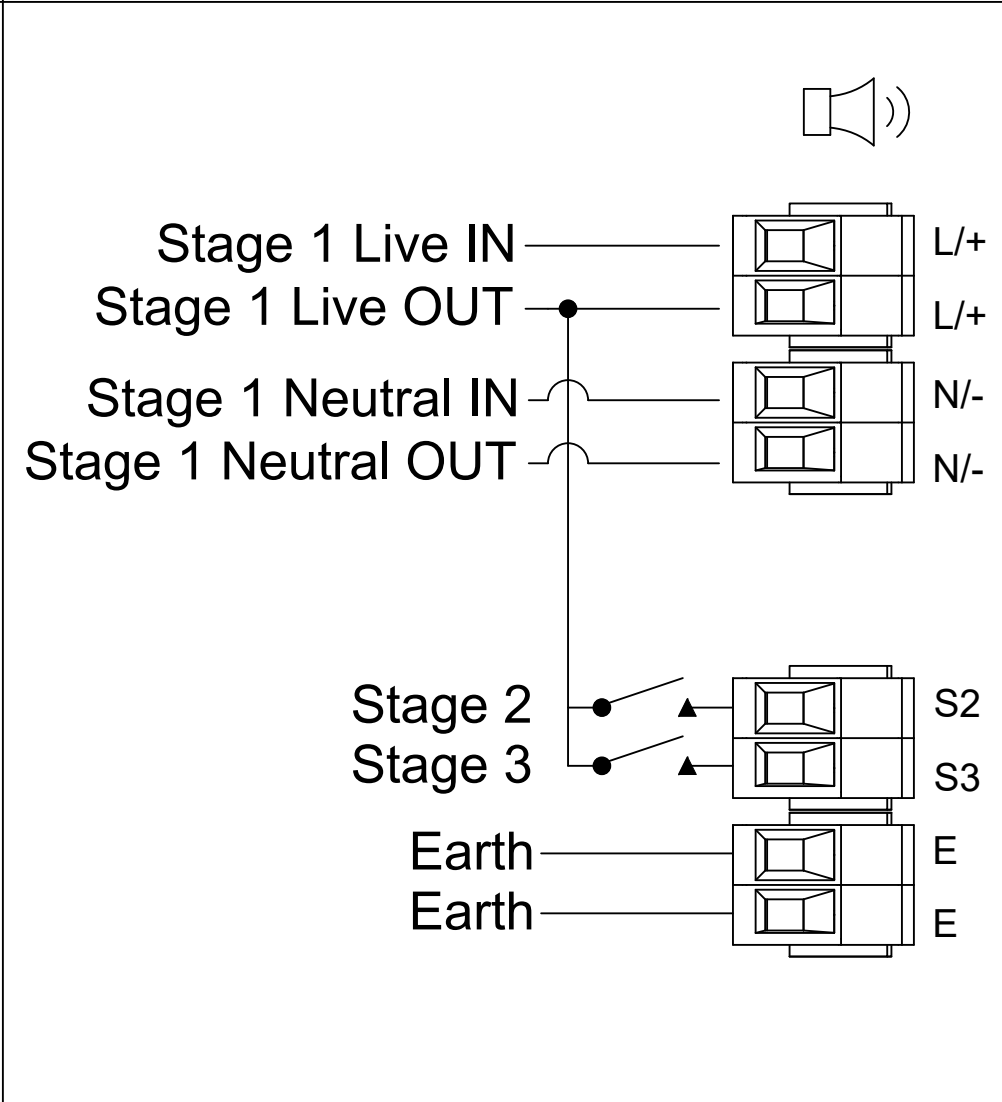
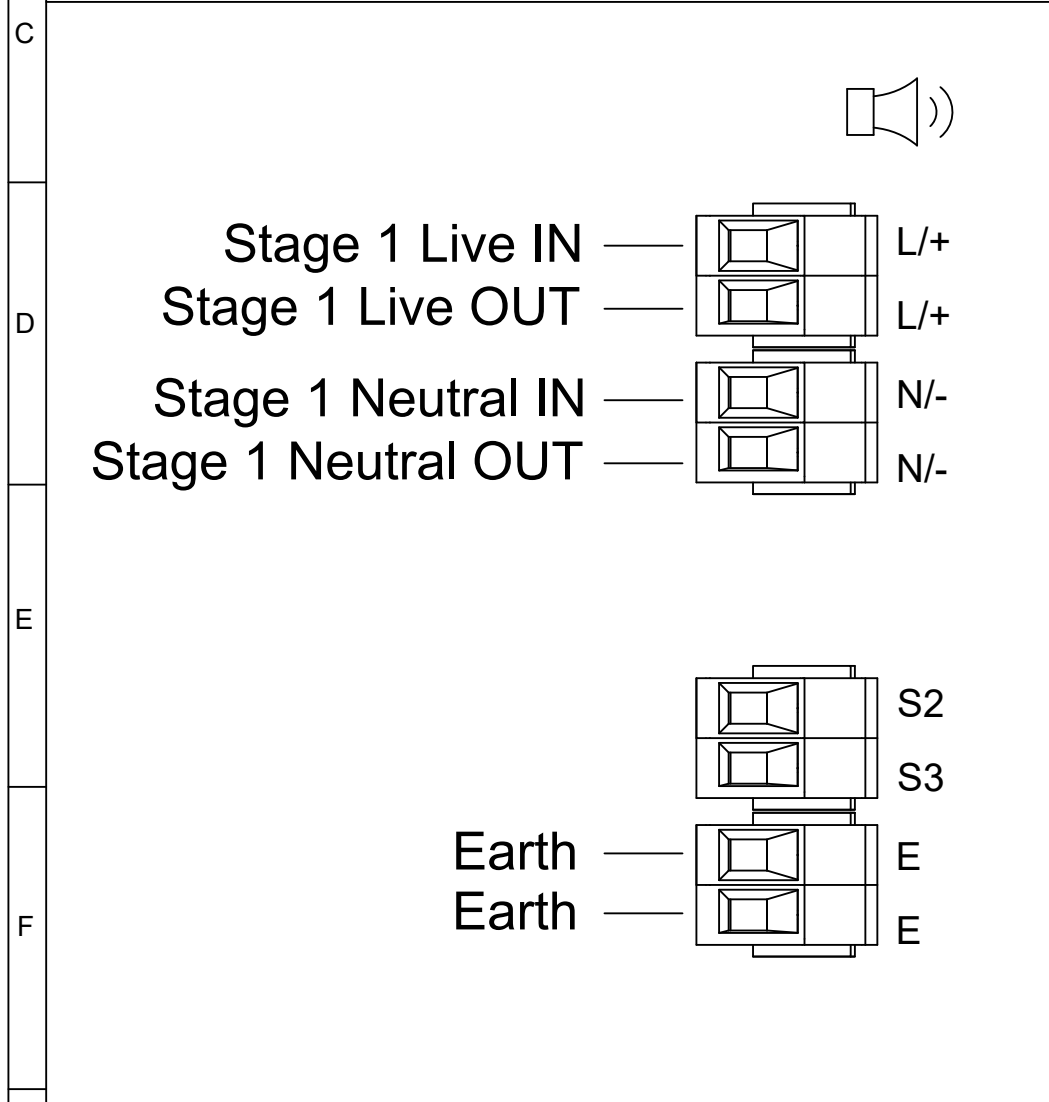
ISSUE	MOD No.	REASON - INITIAL - DATE
A		INTRODUCTION RSR - 16/04/2021
B		TERMINATIONS CLARIFIED RSR - 02/02/2022



Single Stage Configuration Config.: 1a Three/Four Stage Configuration Config.: 1b

Stage 1: Connect Stage 1 Live to terminal 'L/+' & Stage 1 Neutral to terminal 'N/-'

Stage 1: Connect Stage 1 Live to terminal 'L/+' & Stage 1 Neutral to terminal 'N/-'
 Stage 2: Connect Stage 1 Live to terminal 'L/+' & Stage 1 Neutral to terminal 'N/-' and link terminal 'S2' to Stage 1 Live
 Stage 3: Connect Stage 1 Live to terminal 'L/+' & Stage 1 Neutral to terminal 'N/-' and link terminal 'S3' to Stage 1 Live
 Stage 4: Connect Stage 1 Live to terminal 'L/+' & Stage 1 Neutral to terminal 'N/-' and link both terminals 'S2' & 'S3' to Stage 1 Live



DRAWING TO BS8888:2000
 GEOMETRIC TOLERANCES TO ISO1101:1983
 LINEAR DIMENSIONAL TOLS
 ANGULAR DIMENSIONAL TOLS

STANDARDS
 ALERTALARM RANGE

DRAWN	DATE
R.S.RAIT	16/03/2021
CHECKED	DATE
B.ISARD	16/03/2021
APPROVED	DATE
R.N.POTTS	16/03/2021

SURFACE FINISH	WEIGHT (Kg)
MATERIAL	
ALTERNATIVE MATERIAL	

THIS DRAWING AND ANY INFORMATION OR DESCRIPTIVE MATTER THEREIN IS COMMUNICATED IN CONFIDENCE AND IS THE COPYRIGHT PROPERTY OF EUROPEAN SAFETY SYSTEMS LTD. NEITHER THE WHOLE OR ANY EXTRACT MAY BE DISCLOSED, LOANED, COPIED OR USED FOR MANUFACTURING OR TENDERING PURPOSES WITHOUT THEIR WRITTEN CONSENT.

© EUROPEAN SAFETY SYSTEMS LTD.
 AS PER LATEST DATE OF ISSUE SHOWN ABOVE

EUROPEAN SAFETY SYSTEMS LTD
 IMPRESS HOUSE
 MANSELL ROAD
 ACTON
 LONDON W3 7QH
 WWW.E2S.COM

ALL DIMENSIONS IN MM IF IN DOUBT, ASK - DO NOT SCALE				A3
TITLE A100, A105N & D105 AC WIRING DIAGRAMS				
SCALE	SHEET	DRAWING NUMBER		
NTS	1 OF 1	D218-06-005		