

A								ISSUE	MOD No.	REASON - INITIAL - DATE	A
	<p><b>-VE SWITCHING (DEFAULT)</b> HEADER PINS P7, P8 &amp; P9 NOT CONNECTED</p>							A		INTRODUCTION RSR - 11/05/2021	
	<p>OPTIONAL LINE MONITORING RESISTOR, CUSTOMER SUPPLIED, RECOMMENDED MINIMUM VALUES: 14V MAX SYSTEM = 120Ω MIN, 2W MIN OR 1KΩ MIN, 0.5W MIN 28V MAX SYSTEM = 470Ω MIN, 2W MIN OR 2.4KΩ MIN, 0.5W MIN</p>							1	ACN0154	POSITIVE SWITCHING INTRODUCED RSR - 31/07/2024	
<p>WIRING LINKING BEACON &amp; SOUNDER FACTORY FITTED</p>											

**Linked Sounder & Beacon Activation (Default) -ve Switching (Default P7, P8 & P9 setting)**

	Config.: 1a		Config.: 1b		Config.: 1c
Single Stage Configuration		Two Stage Configuration		Three/Four Stage Configuration	
Line Monitoring		Common Positive (-ve Switching)		Common Positive (-ve Switching)	
<p>Stage 1: Apply Power to Stage 1 +ve &amp; Stage 1 -ve</p>		<p>Stage 1: Apply Power to Common +ve &amp; Stage 1 -ve Stage 2: Apply Power to Common +ve &amp; Stage 1 -ve &amp; connect Stage 2 -ve to Stage 1 -ve</p>		<p>Stage 1: Apply Power to Common +ve &amp; Stage 1 -ve Stage 2: Apply Power to Common +ve &amp; Stage 1 -ve &amp; connect Stage 2 -ve to Stage 1 -ve Stage 3: Apply Power to Common +ve &amp; Stage 1 -ve &amp; connect Stage 3 -ve to Stage 1 -ve Stage 4: Apply Power to Common +ve &amp; Stage 1 -ve &amp; connect Stage 2 -ve &amp; Stage 3 -ve to Stage 1 -ve</p>	
<p>Stage 1 +ve IN</p> <p>Stage 1 +ve OUT</p> <p>Stage 1 -ve OUT</p> <p>Stage 1 -ve IN</p>		<p>Common +ve IN</p> <p>Common +ve OUT</p> <p>Stage 1 -ve OUT</p> <p>Stage 1 -ve IN</p> <p>Stage 2 -ve</p>		<p>Common +ve IN</p> <p>Common +ve OUT</p> <p>Stage 1 -ve OUT</p> <p>Stage 1 -ve IN</p> <p>Stage 2 -ve</p> <p>Stage 3 -ve</p>	

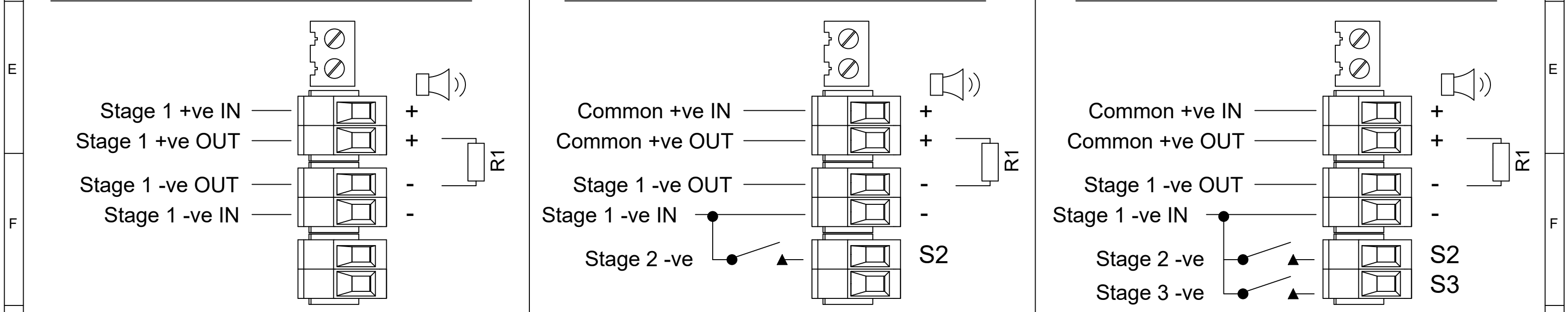
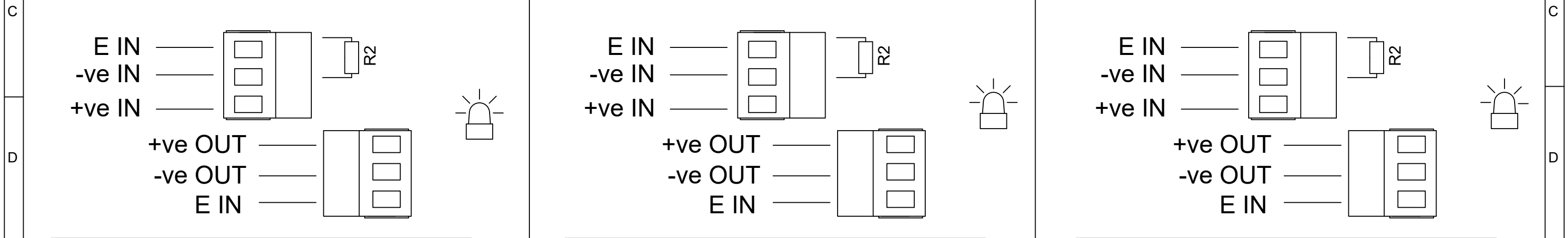
<p>DRAWING TO BS8888:2000 GEOMETRIC TOLERANCES TO ISO1101:1983 LINEAR DIMENSIONAL TOLS ANGULAR DIMENSIONAL TOLS</p> <p>STANDARDS</p> <p style="text-align: center;">ALERTALARM RANGE</p>	<p>DRAWN</p> <p>R.S.RAIT</p>	<p>DATE</p> <p>16/03/2021</p>	<p>SURFACE FINISH</p> <p>WEIGHT (Kg)</p>	<p>THIS DRAWING AND ANY INFORMATION OR DESCRIPTIVE MATTER THEREIN IS COMMUNICATED IN CONFIDENCE AND IS THE COPYRIGHT PROPERTY OF EUROPEAN SAFETY SYSTEMS LTD. NEITHER THE WHOLE OR ANY EXTRACT MAY BE DISCLOSED, LOANED, COPIED OR USED FOR MANUFACTURING OR TENDERING PURPOSES WITHOUT THEIR WRITTEN CONSENT.</p> <p>© EUROPEAN SAFETY SYSTEMS LTD. AS PER LATEST DATE OF ISSUE SHOWN ABOVE</p>	<p>EUROPEAN SAFETY SYSTEMS LTD IMPRESS HOUSE MANSELL ROAD ACTON LONDON W3 7QH WWW.E2S.COM</p>	<p>ALL DIMENSIONS IN MM IF IN DOUBT, ASK - DO NOT SCALE</p>		<p><b>A3</b></p>
	<p>CHECKED</p> <p>B.ISARD</p>	<p>DATE</p> <p>16/03/2021</p>	<p>MATERIAL</p>			<p>TITLE AL100H, AL105NH &amp; DL105H DC COMBINED SOUNDER &amp; LED WIRING DIAGRAMS</p>		
	<p>APPROVED</p> <p>R.N.POTTS</p>	<p>DATE</p> <p>16/03/2021</p>	<p>ALTERNATIVE MATERIAL</p>			<p>SCALE</p> <p>NTS</p>	<p>SHEET</p> <p>1 OF 4</p>	<p>DRAWING NUMBER</p> <p><b>D218-06-251</b></p>

	1	2	3	4	5	6	7	8	9	10	
A	<p><b>-VE SWITCHING (DEFAULT)</b> HEADER PINS P7, P8 &amp; P9 NOT CONNECTED</p> <p>OPTIONAL LINE MONITORING RESISTOR, CUSTOMER SUPPLIED, RECOMMENDED MINIMUM VALUES: 14V MAX SYSTEM = 120Ω MIN, 2W MIN OR 1KΩ MIN, 0.5W MIN 28V MAX SYSTEM = 470Ω MIN, 2W MIN OR 2.4KΩ MIN, 0.5W MIN</p>							ISSUE	MOD No.	REASON - INITIAL - DATE	A
								A		INTRODUCTION RSR - 11/05/2021	
								1	ACN0154	POSITIVE SWITCHING INTRODUCED RSR - 31/07/2024	

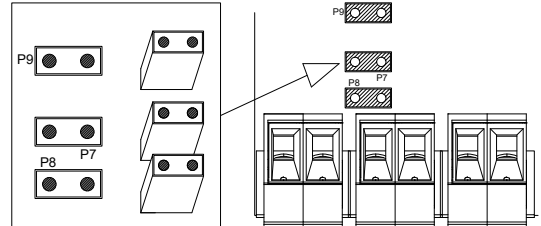
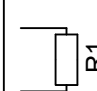
**Independent Sounder & Beacon Activation (Remove Link Wires) / -ve Switching (Default P7, P8 & P9 setting)**

Single Stage Configuration	Config.: 5a	Two Stage Configuration	Config.: 5b	Three/Four Stage Configuration	Config.: 5c
----------------------------	-------------	-------------------------	-------------	--------------------------------	-------------

Line Monitoring	Common Positive (-ve Switching)	Common Positive (-ve Switching)
<p>Stage 1: Apply Power to Stage 1 -ve &amp; Stage 1 +ve</p>	<p>Stage 1: Apply Power to Common +ve &amp; Stage 1 -ve Stage 2: Apply Power to Common +ve &amp; Stage 1 -ve &amp; connect Stage 2 -ve to Stage 1 -ve</p>	<p>Stage 1: Apply Power to Common +ve &amp; Stage 1 -ve Stage 2: Apply Power to Common +ve &amp; Stage 1 -ve &amp; connect Stage 2 -ve to Stage 1 -ve Stage 3: Apply Power to Common +ve &amp; Stage 1 -ve &amp; connect Stage 3 -ve to Stage 1 -ve Stage 4: Apply Power to Common +ve &amp; Stage 1 -ve &amp; connect Stage 2 -ve &amp; Stage 3 -ve to Stage 1 -ve</p>

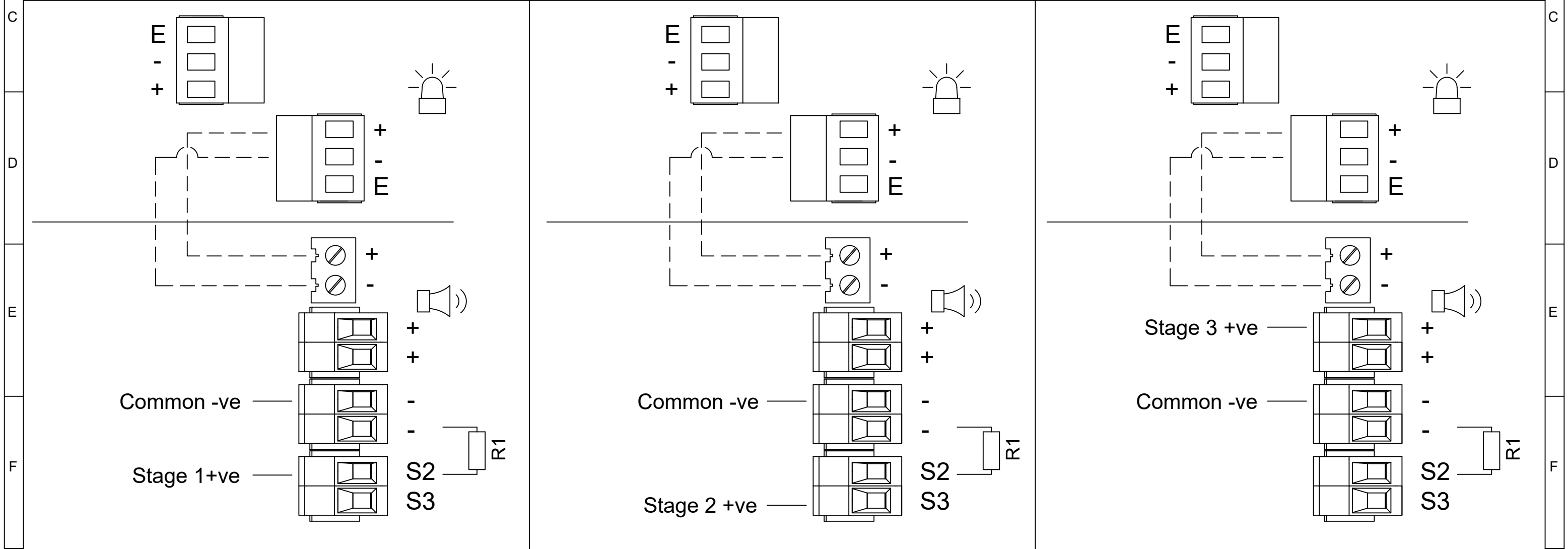



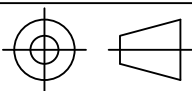
DRAWING TO BS8888:2000 GEOMETRIC TOLERANCES TO ISO1101:1983 LINEAR DIMENSIONAL TOLS ANGULAR DIMENSIONAL TOLS	DRAWN <b>R.S.RAIT</b>	DATE <b>16/03/2021</b>	SURFACE FINISH	WEIGHT (Kg)	THIS DRAWING AND ANY INFORMATION OR DESCRIPTIVE MATTER THEREIN IS COMMUNICATED IN CONFIDENCE AND IS THE COPYRIGHT PROPERTY OF EUROPEAN SAFETY SYSTEMS LTD. NEITHER THE WHOLE OR ANY EXTRACT MAY BE DISCLOSED, LOANED, COPIED OR USED FOR MANUFACTURING OR TENDERING PURPOSES WITHOUT THEIR WRITTEN CONSENT.  © EUROPEAN SAFETY SYSTEMS LTD. AS PER LATEST DATE OF ISSUE SHOWN ABOVE	 EUROPEAN SAFETY SYSTEMS LTD IMPRESS HOUSE MANSELL ROAD ACTON LONDON W3 7QH WWW.E2S.COM	ALL DIMENSIONS IN MM IF IN DOUBT, ASK - DO NOT SCALE		<b>A3</b>
	CHECKED <b>B.ISARD</b>	DATE <b>16/03/2021</b>	MATERIAL	TITLE AL100H, AL105NH & DL105H DC COMBINED SOUNDER & LED WIRING DIAGRAMS					
	STANDARDS ALERTALARM RANGE	APPROVED <b>R.N.POTTS</b>	DATE <b>16/03/2021</b>	ALTERNATIVE MATERIAL			SCALE <b>NTS</b>	SHEET <b>2 OF 4</b>	DRAWING NUMBER <b>D218-06-251</b>

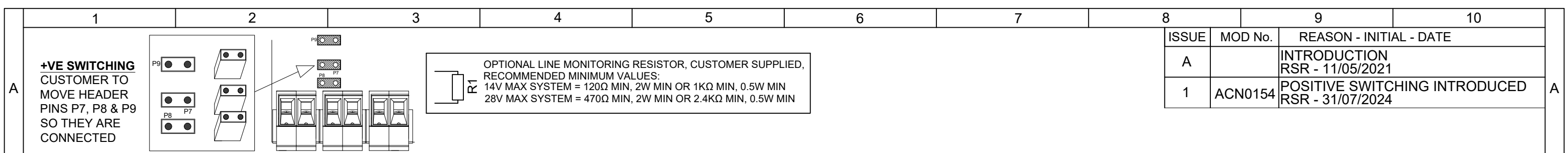
	1	2	3	4	5	6	7	8	9	10	
A	<div style="display: flex; justify-content: space-between;"> <div style="width: 20%;"> <p><b>+VE SWITCHING</b> CUSTOMER TO MOVE HEADER PINS P7, P8 &amp; P9 SO THEY ARE CONNECTED</p>  </div> <div style="width: 20%; border: 1px solid black; padding: 5px;"> <p>OPTIONAL LINE MONITORING RESISTOR, CUSTOMER SUPPLIED, RECOMMENDED MINIMUM VALUES: 14V MAX SYSTEM = 120Ω MIN, 2W MIN OR 1KΩ MIN, 0.5W MIN 28V MAX SYSTEM = 470Ω MIN, 2W MIN OR 2.4KΩ MIN, 0.5W MIN</p>  </div> <div style="width: 20%; border: 1px solid black; padding: 5px;"> <p>— — WIRING LINKING BEACON &amp; SOUNDER FACTORY FITTED</p> </div> </div>							ISSUE	MOD No.	REASON - INITIAL - DATE	A
								A		INTRODUCTION RSR - 11/05/2021	
								1	ACN0154	POSITIVE SWITCHING INTRODUCED RSR - 31/07/2024	

**Linked Sounder & Beacon Activation (Default) / +ve Switching (Customer to set P7, P8 & P9 as above)**

	Config.: 2a	Config.: 2b	Config.: 2c
Stage 1 Configuration	Stage 2 Configuration	Stage 3 Configuration	
Common Negative (+ve Switching )			
<p>Single Stage Line Monitoring, Maximum Monitoring Voltage 4Vdc Not to be used for reverse polarity line monitoring Stage 1: Apply Stage 1 +ve to terminal 'S2' &amp; Common -ve to terminal '-'</p>	<p>Single Stage Line Monitoring, Maximum Monitoring Voltage 4Vdc Not to be used for reverse polarity line monitoring Stage 2: Apply Stage 2 +ve to terminal 'S3' &amp; Common -ve to terminal '-'</p>	<p>Single Stage Line Monitoring, Maximum Monitoring Voltage 4Vdc Not to be used for reverse polarity line monitoring Stage 3: Apply Stage 3 +ve to terminal '+' &amp; Common -ve to terminal '-'</p>	



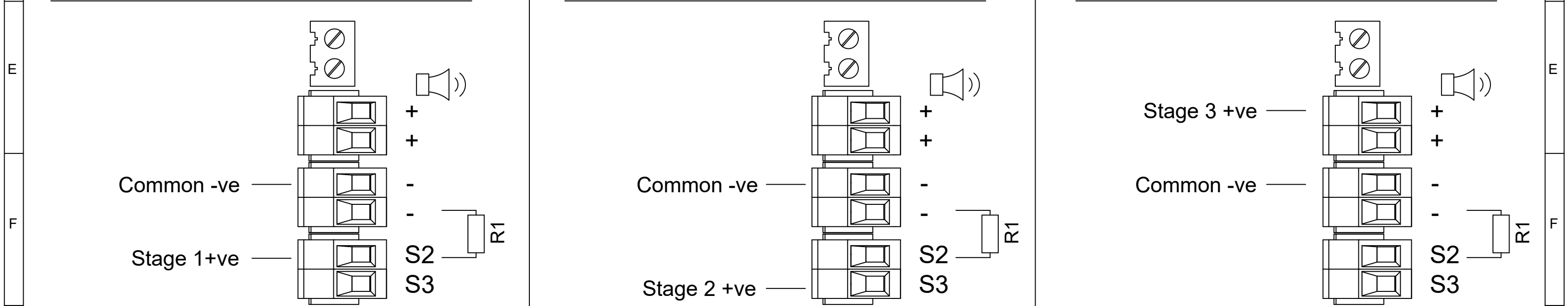
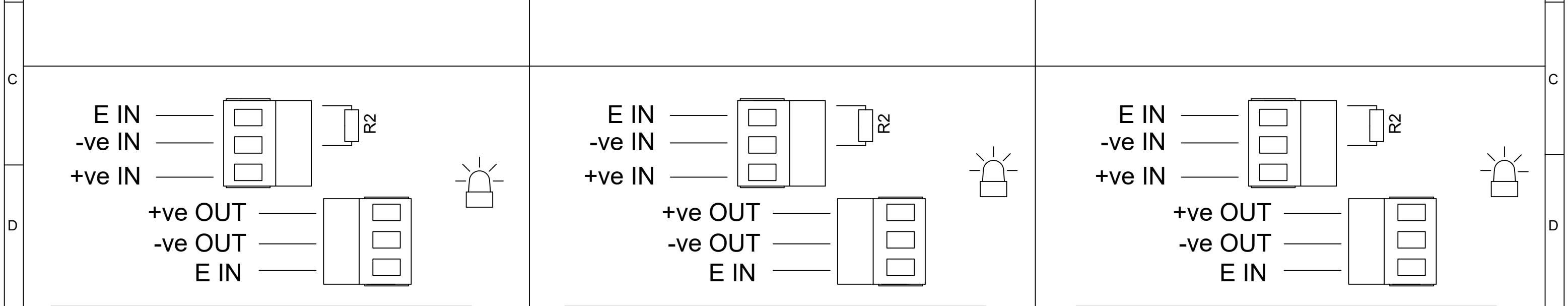
DRAWING TO BS8888:2000 GEOMETRIC TOLERANCES TO ISO1101:1983 LINEAR DIMENSIONAL TOLS ANGULAR DIMENSIONAL TOLS	DRAWN <b>R.S.RAIT</b>	DATE 16/03/2021	SURFACE FINISH	WEIGHT (Kg)	<p>THIS DRAWING AND ANY INFORMATION OR DESCRIPTIVE MATTER THEREIN IS COMMUNICATED IN CONFIDENCE AND IS THE COPYRIGHT PROPERTY OF EUROPEAN SAFETY SYSTEMS LTD. NEITHER THE WHOLE OR ANY EXTRACT MAY BE DISCLOSED, LOANED, COPIED OR USED FOR MANUFACTURING OR TENDERING PURPOSES WITHOUT THEIR WRITTEN CONSENT.</p> <p>© EUROPEAN SAFETY SYSTEMS LTD. AS PER LATEST DATE OF ISSUE SHOWN ABOVE</p>	 warning signals EUROPEAN SAFETY SYSTEMS LTD IMPRESS HOUSE MANSELL ROAD ACTON LONDON W3 7QH WWW.E2S.COM	ALL DIMENSIONS IN MM IF IN DOUBT, ASK - DO NOT SCALE		<b>A3</b>	
STANDARDS ALERTALARM RANGE	CHECKED <b>B.ISARD</b>	DATE 16/03/2021	MATERIAL	ALTERNATIVE MATERIAL			TITLE AL100H, AL105NH & DL105H DC COMBINED SOUNDER & LED WIRING DIAGRAMS			
	APPROVED <b>R.N.POTTS</b>	DATE 16/03/2021					SCALE <b>NTS</b>	SHEET <b>3 OF 4</b>	DRAWING NUMBER <b>D218-06-251</b>	



Independent Sounder & Beacon Activation (Remove Link Wires) / +ve Switching (Customer to set P7, P8 & P9 as above)

Stage 1 Configuration	Config.: 6a	Stage 2 Configuration	Config.: 6b	Stage 3 Configuration	Config.: 6c
-----------------------	-------------	-----------------------	-------------	-----------------------	-------------

Common Negative (+ve Switching )	Common Negative (+ve Switching )	Common Negative (+ve Switching )
<p>Single Stage Line Monitoring, Maximum Monitoring Voltage 4Vdc Not to be used for reverse polarity line monitoring Stage 1: Apply Stage 1 +ve to terminal 'S2' &amp; Common -ve to terminal '-'</p>	<p>Single Stage Line Monitoring, Maximum Monitoring Voltage 4Vdc Not to be used for reverse polarity line monitoring Stage 2: Apply Stage 2 +ve to terminal 'S3' &amp; Common -ve to terminal '-'</p>	<p>Single Stage Line Monitoring, Maximum Monitoring Voltage 4Vdc Not to be used for reverse polarity line monitoring Stage 3: Apply Stage 3 +ve to terminal '+' &amp; Common -ve to terminal '-'</p>



DRAWING TO BS8888:2000 GEOMETRIC TOLERANCES TO ISO1101:1983 LINEAR DIMENSIONAL TOLS ANGULAR DIMENSIONAL TOLS	DRAWN <b>R.S.RAIT</b>	DATE 16/03/2021	SURFACE FINISH	WEIGHT (Kg)	THIS DRAWING AND ANY INFORMATION OR DESCRIPTIVE MATTER THEREIN IS COMMUNICATED IN CONFIDENCE AND IS THE COPYRIGHT PROPERTY OF EUROPEAN SAFETY SYSTEMS LTD. NEITHER THE WHOLE OR ANY EXTRACT MAY BE DISCLOSED, LOANED, COPIED OR USED FOR MANUFACTURING OR TENDERING PURPOSES WITHOUT THEIR WRITTEN CONSENT.  © EUROPEAN SAFETY SYSTEMS LTD. AS PER LATEST DATE OF ISSUE SHOWN ABOVE	 EUROPEAN SAFETY SYSTEMS LTD IMPRESS HOUSE MANSELL ROAD ACTON LONDON W3 7QH WWW.E2S.COM	ALL DIMENSIONS IN MM IF IN DOUBT, ASK - DO NOT SCALE		<b>A3</b>
	CHECKED <b>B.ISARD</b>	DATE 16/03/2021	MATERIAL	<b>TITLE AL100H, AL105NH &amp; DL105H DC COMBINED          SOUNDER &amp; LED WIRING DIAGRAMS</b>					
	STANDARDS ALERTALARM RANGE	APPROVED <b>R.N.POTTS</b>	DATE 16/03/2021	ALTERNATIVE MATERIAL			SCALE <b>NTS</b>	SHEET <b>4 OF 4</b>	DRAWING NUMBER <b>D218-06-251</b>