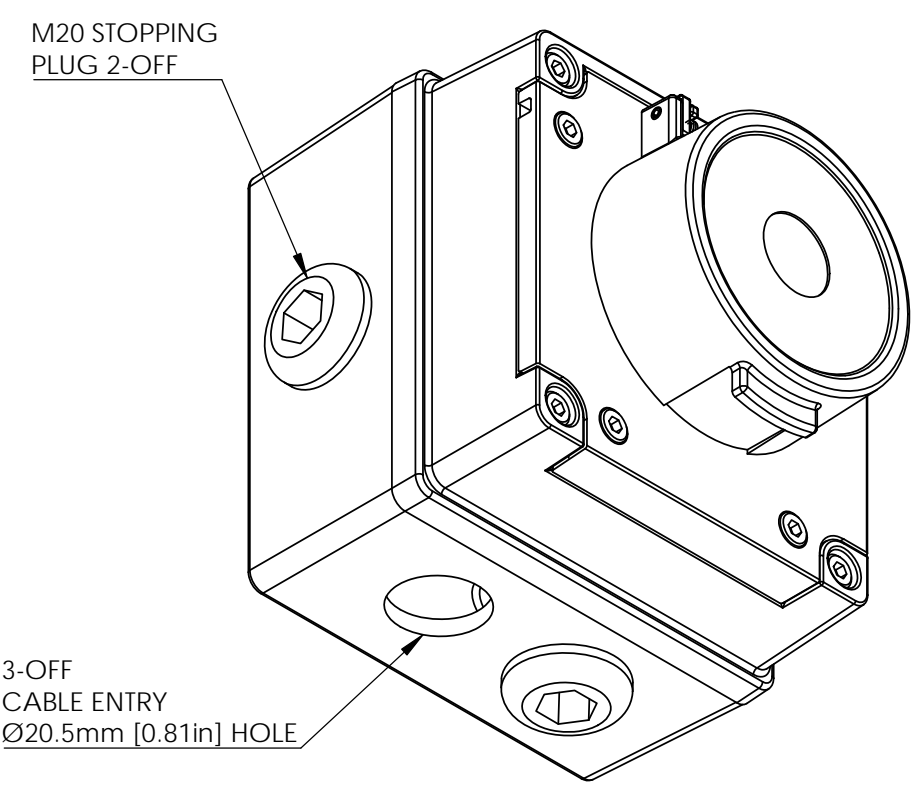
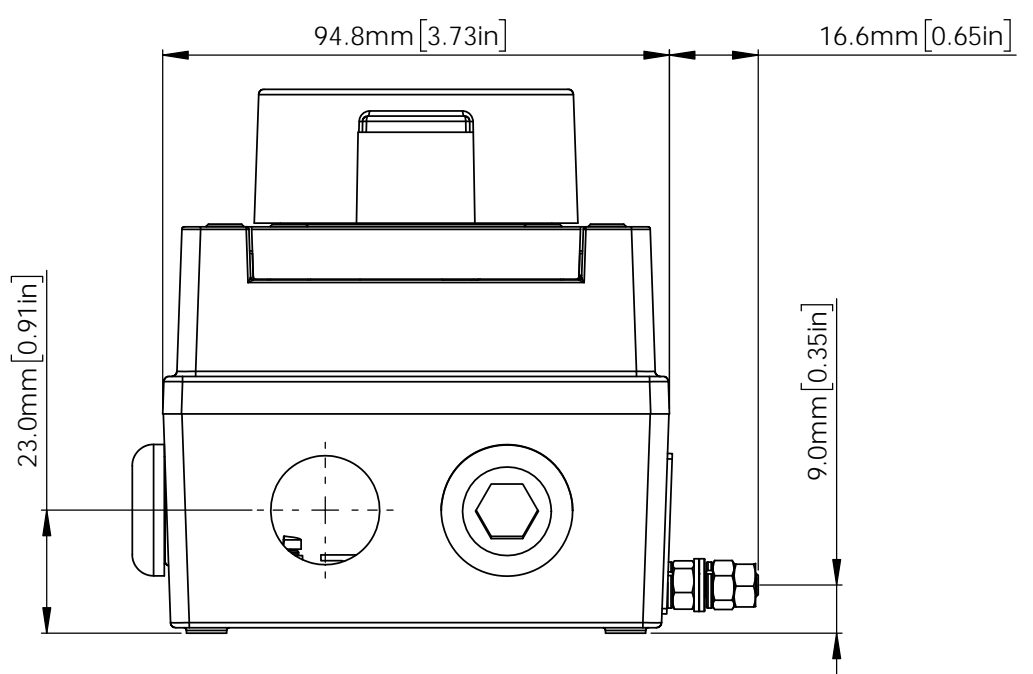
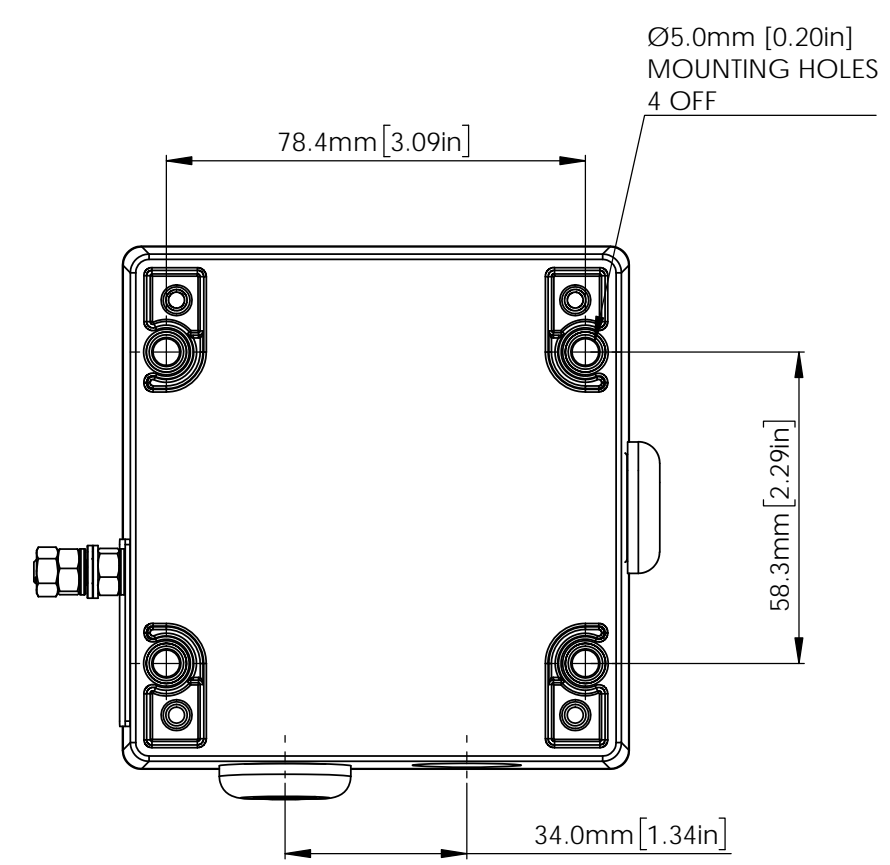
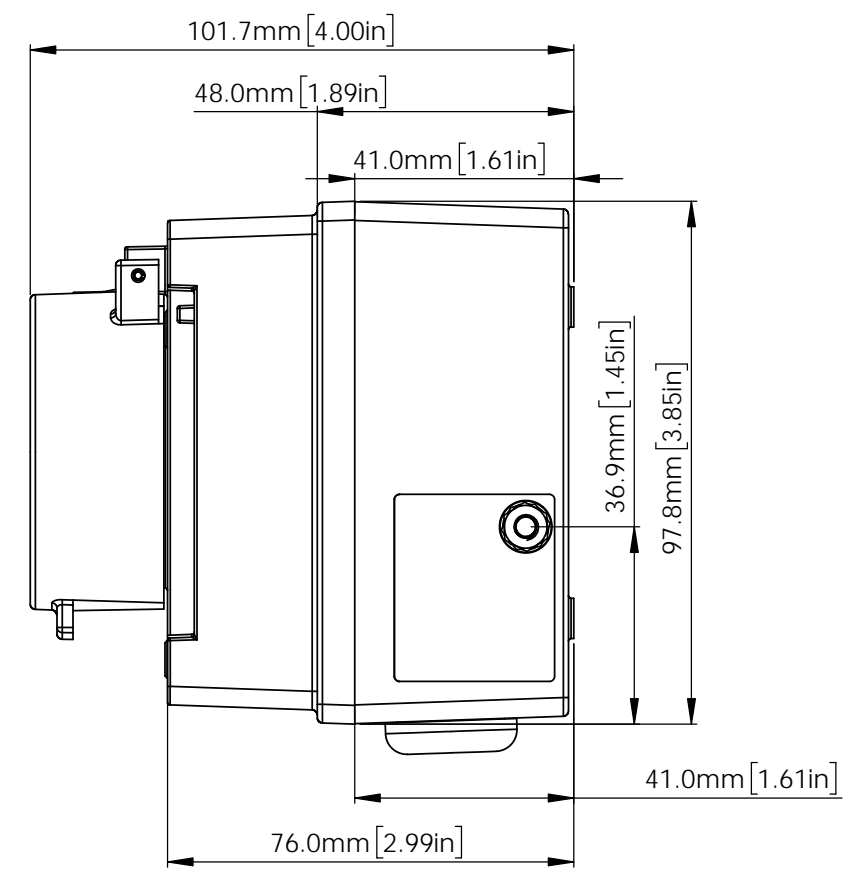
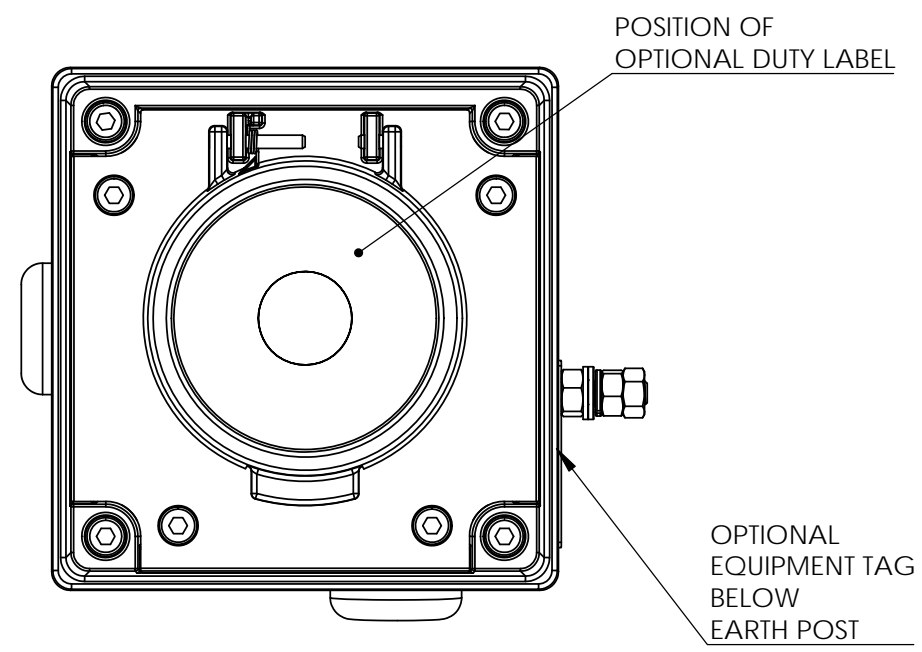


E2S PART NO.	DESCRIPTION	DATA REFERENCE
BExCP3A-PB BExCP3B-PB BExCP3C-PB BExCP3D-PB	BExCP3-PB PUSH BUTTON MANUAL CALL POINT	1.24.080
BExCP3A-PT BExCP3B-PT BExCP3C-PT BExCP3D-PT	BExCP3-PT TOOL RESET MANUAL CALL POINT	1.24.090
IS-CP4A-PB IS-CP4B-PB	IS-CP4-PB PUSH BUTTON MANUAL CALL POINT	1.14.020
IS-CP4A-PT IS-CP4B-PT	IS-CP4-PT TOOL RESET MANUAL CALL POINT	1.14.030

ISSUE	MOD No.	REASON - INITIAL - DATE
1		INTRODUCTION DAH - 31-01-20
2		LABEL NOTES ADDED MM 31-07-2023
3		CABLE ENTRIES AT THE BOTTOM MM 20-09-2023



ISOMETRIC VIEW



NOTE:  
FOR OPTIONAL DUTY LABEL SEE DRAWING D254-00-071  
FOR OPTIONAL TAG PLATE SEE DRAWING D254-00-111

DRAWING TO BS8888:2000 GEOMETRIC TOLERANCES TO ISO1101:1983 LINEAR DIMENSIONAL TOLS ANGULAR DIMENSIONAL TOLS	DRAWN D.HOWGILL DATE 31-01-20	SURFACE FINISH POWDER COAT	WEIGHT (Kg)	THIS DRAWING AND ANY INFORMATION OR DESCRIPTIVE MATTER THEREIN IS COMMUNICATED IN CONFIDENCE AND IS THE COPYRIGHT PROPERTY OF EUROPEAN SAFETY SYSTEMS LTD. NEITHER THE WHOLE OR ANY EXTRACT MAY BE DISCLOSED, LOANED, COPIED OR USED FOR MANUFACTURING OR TENDERING PURPOSES WITHOUT THEIR WRITTEN CONSENT.	 EUROPEAN SAFETY SYSTEMS LTD IMPRESS HOUSE MANSELL ROAD ACTON LONDON W3 7QH WWW.E2S.COM	ALL DIMENSIONS IN MM IF IN DOUBT, ASK - DO NOT SCALE		 A2
	STANDARDS BExCP3-PB/PT IS-CP4-PB/PT	CHECKED R.N.POTTS DATE 31-01-20	MATERIAL			ALTERNATIVE MATERIAL	TITLE BExCP3-PB / BExCP3-PT / IS-CP4-PB / IS-CP4-PT CALL POINT OUTLINE DRAWING	