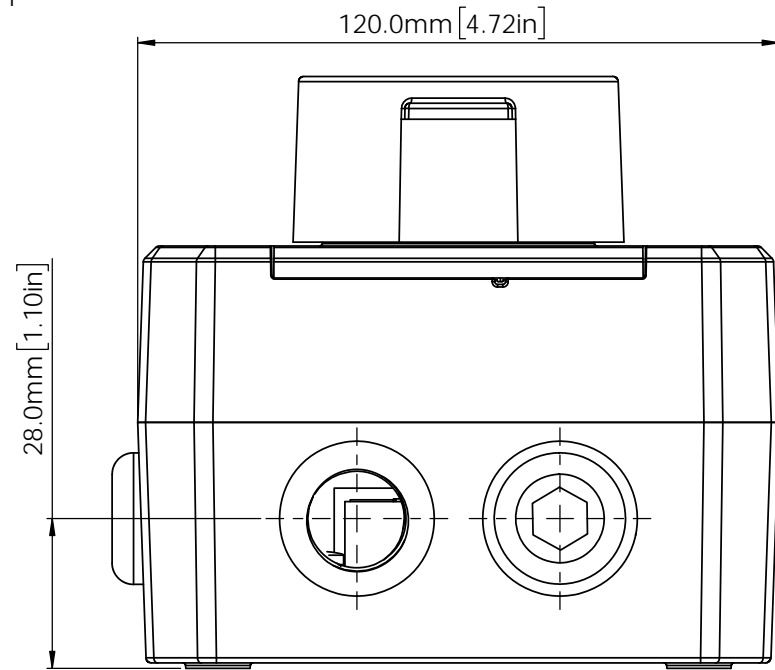


E2S PART NO. DESCRIPTION DATA REFERENCE

GNExCP6A-PB GNExCP6-PB PUSH BUTTON MANUAL CALL POINT 1.24.030
 GNExCP6B-PB
 GNExCP6C-PB
 GNExCP6D-PB
 GNExCP6A-PT GNExCP6-PT TOOL RESET MANUAL CALL POINT 1.24.050
 GNExCP6B-PT
 GNExCP6C-PT
 GNExCP6D-PT

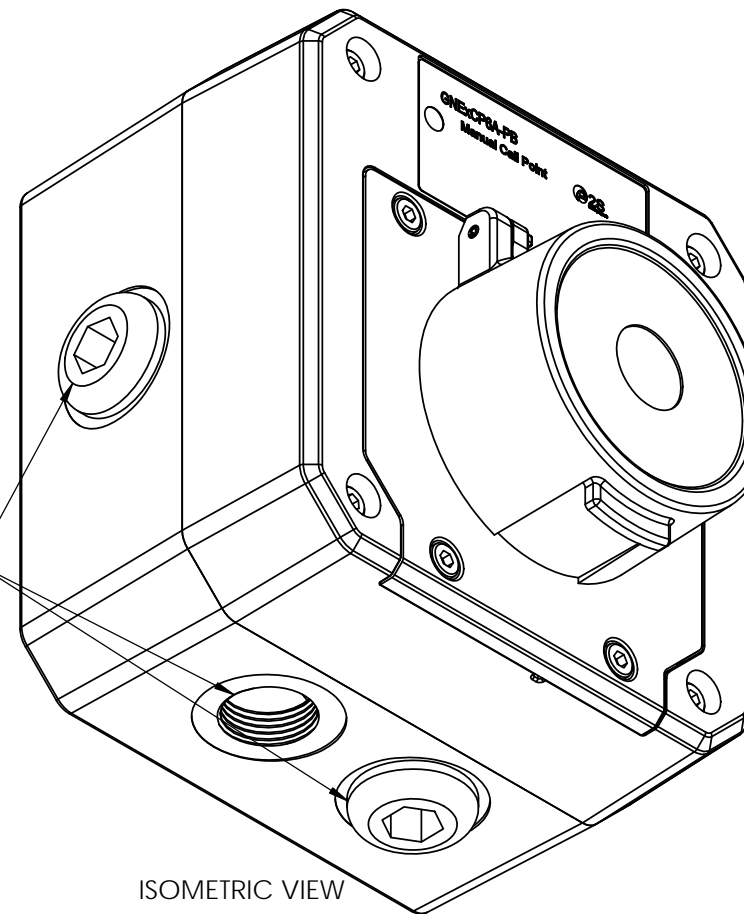
ISSUE	MOD No.	REASON - INITIAL - DATE
1		INTRODUCTION DAH - 03-02-2020
2		CUSTOMER INFORMATION ADDED JS - 22-05-2020
3		LABEL NOTES ADDED MM 31-07-2023
4		CABLE ENTRIES AT THE BOTTOM MM 20-09-2023



BOTTOM VIEW

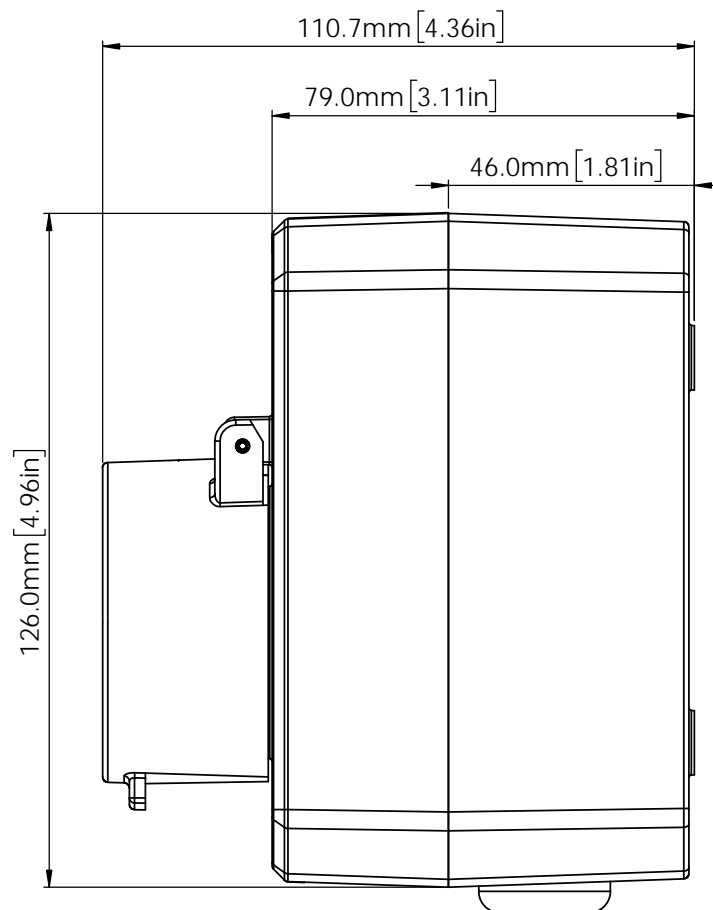
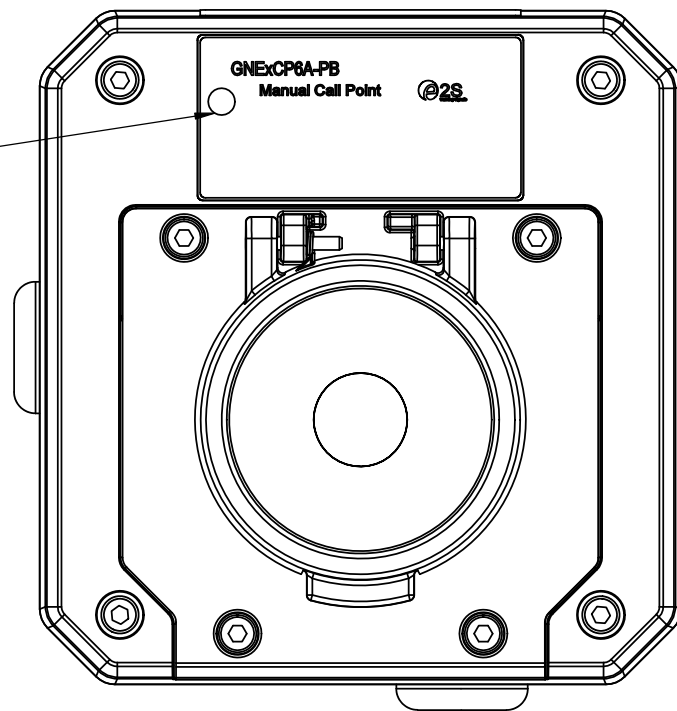
M20 x 1.5 IN 3 POSITIONS

NB: M20 X 1.5 Ex e APPROVED
CABLE GLANDS OR STOPPING PLUGS
TO BE USED ONLY

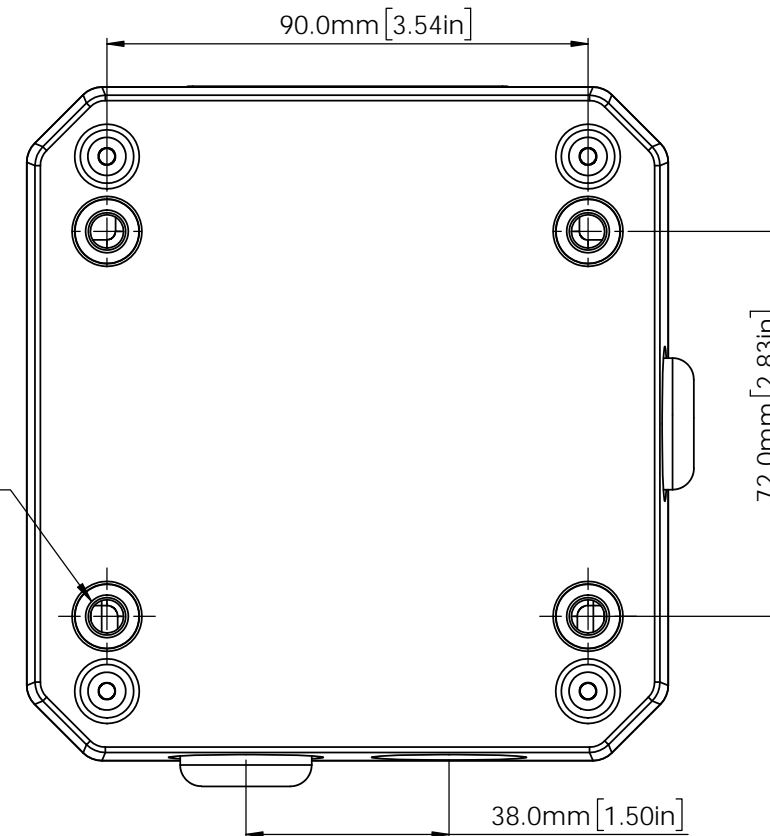


ISOMETRIC VIEW

OPTIONAL L.E.D
INDICATOR



Ø6.2mm [0.24in]
MOUNTING HOLES
4 OFF



NOTE:

FOR OPTIONAL DUTY LABEL SEE DRAWING D254-00-011
 FOR OPTIONAL TAG PLATE SEE DRAWING D254-00-121

DRAWING TO BS8888:2000
 GEOMETRIC TOLERANCES TO ISO1101:1983
 LINEAR DIMENSIONAL TOLS
 ANGULAR DIMENSIONAL TOLS

DRAWN	DATE
D.HOWGILL	03-02-20
CHECKED	DATE
R.N.POTTS	03-02-20
APPROVED	DATE
R.N.POTTS	03-02-20

HOUSING FINISH	WEIGHT (kg)
POWDER COAT	1.3KG / 2.86LBS
HOUSING MATERIAL	
GRP - GLASS REINFORCED POLYESTER	
ALTERNATIVE MATERIAL	

THIS DRAWING AND ANY INFORMATION OR DESCRIPTIVE
 MATTER THEREIN IS COMMUNICATED IN CONFIDENCE AND
 IS THE COPYRIGHT PROPERTY OF EUROPEAN SAFETY
 SYSTEMS LTD. NEITHER THE WHOLE OR ANY EXTRACT MAY
 BE DISCLOSED, LOANED, COPIED OR USED FOR
 MANUFACTURING OR TENDERING PURPOSES WITHOUT THEIR
 WRITTEN CONSENT.

EUROPEAN SAFETY SYSTEMS LTD.
 AS PER LATEST DATE OF ISSUE SHOWN ABOVE

e2s
 warning signals
 EUROPEAN SAFETY SYSTEMS LTD
 IMPRESS HOUSE
 MANSELL ROAD
 ACTON
 LONDON W3 7QH
 WWW.E2S.COM

ALL DIMENSIONS IN MM
 IF IN DOUBT, ASK -
 DO NOT SCALE



A2

TITLE GNExCP6-PB & GNExCP6-PT MANUAL
 CALL POINT OUTLINE DRAWING

SCALE
 1:1

SHEET
 1 OF 1

DRAWING NUMBER
 D154-05-101