

ISSUE	MOD No.	REASON - INITIAL - DATE
C		OPTIONAL EQUIPMENT TAG SHOWN RSR 11.02.2020
D		General Signaling and Fire products better defined. RNP 10.11.2022
E		LED Option added -L and -C Optional Duty Label and Tag Plate added. RNP 28.08.2023
F		Changed to bottom entries configuration. MM 11.11.2024

OPTIONAL EQUIPMENT TAG LOCATION SEE NOTES

OPTIONAL DUTY LABEL ON PRODUCT VERSION [v] = A SHOWN BLANK CUSTOMER TO SPECIFY TEXT AS REQUIRED SEE NOTES

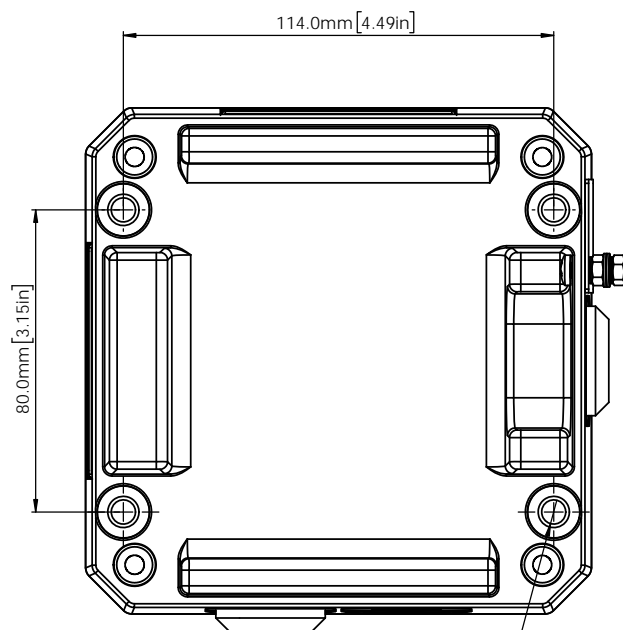
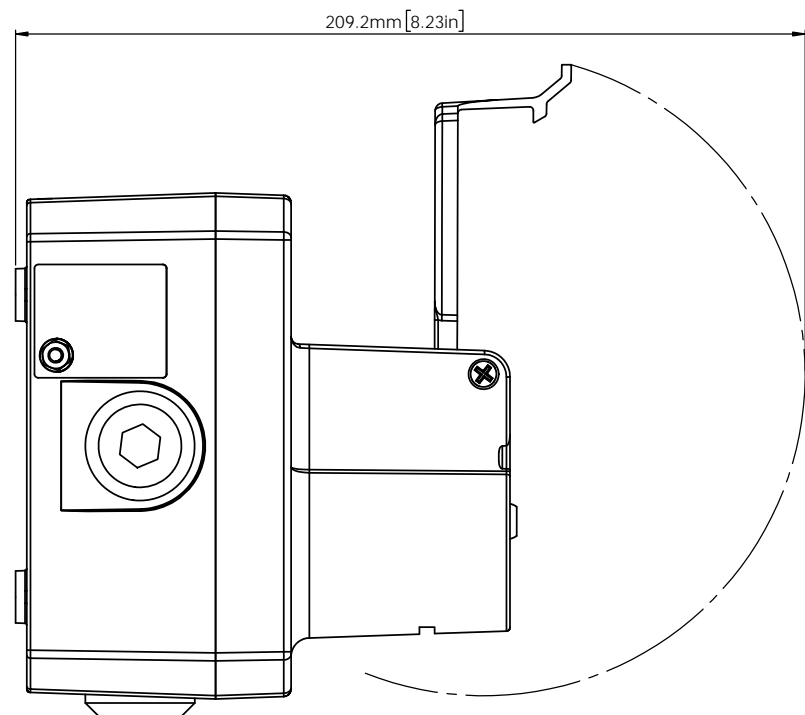
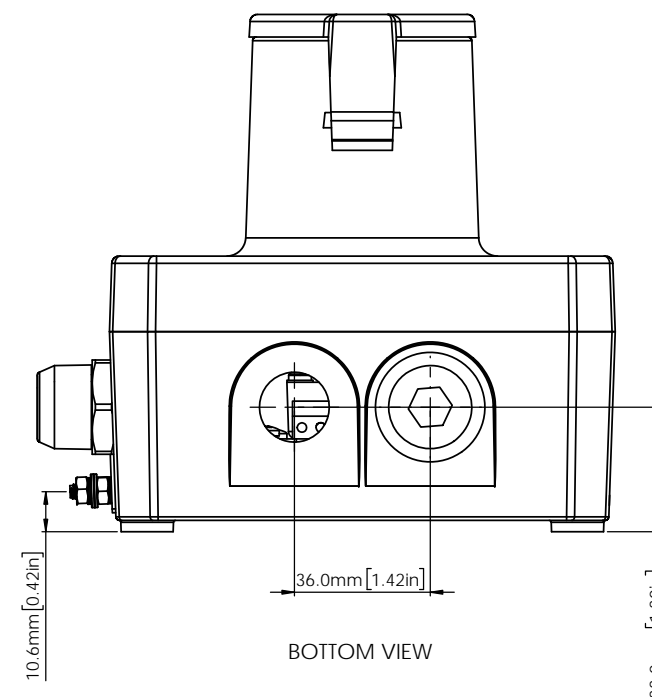
NOTE : BACK BOX CAN BE ORIENTATED WITH DUAL CABLE ENTRIES FACING UP OR DOWN

DUTY LABEL ON FIRE PRODUCT GNE_xCP7PT [v] = F SHOWN WITH TEXT FIRE/FEU LIFT FLAP AND PUSH

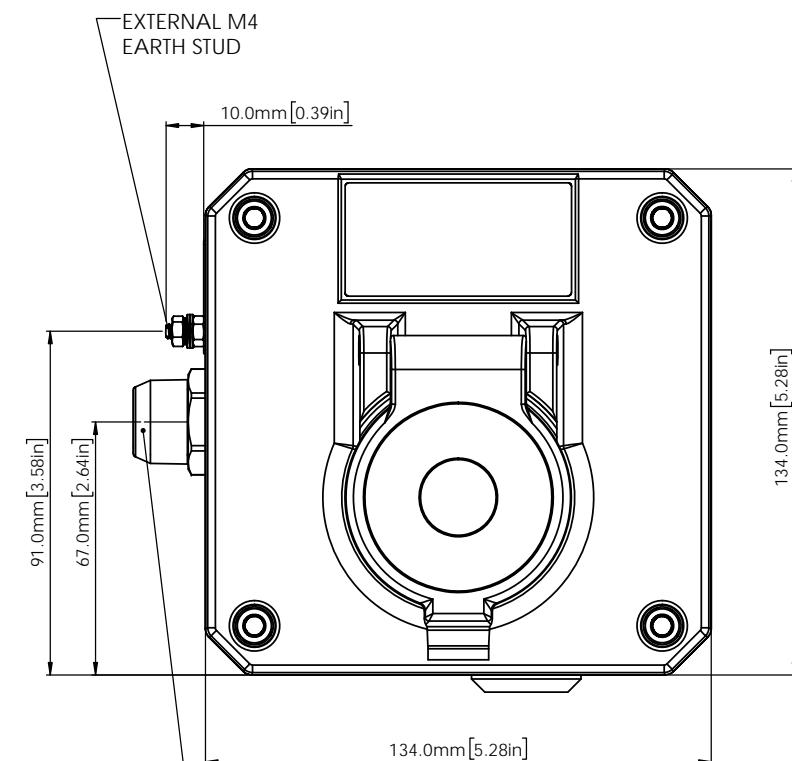
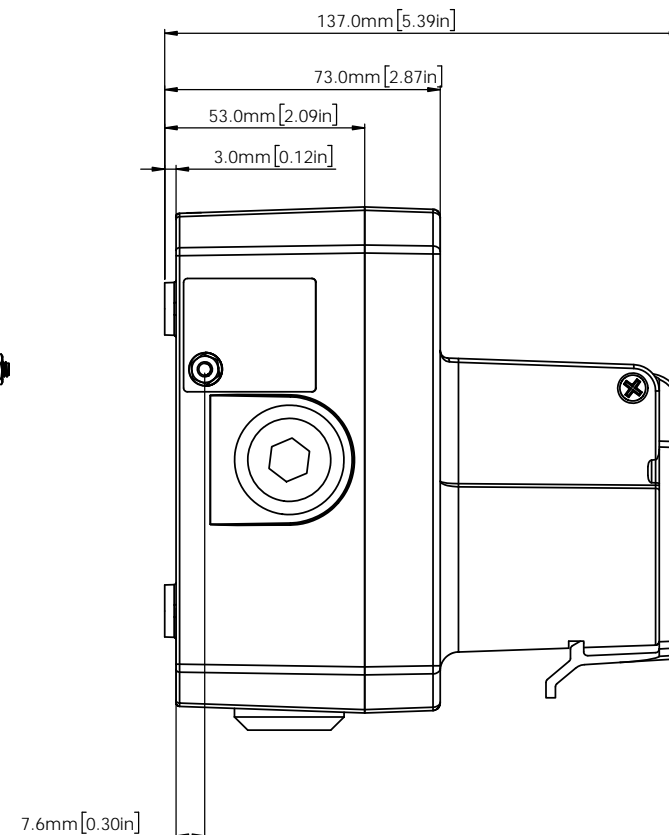
3 OFF M20x1.5mm Ex d APPROVED CABLE GLAND OR STOPPING PLUGS TO BE USED IN EACH ENTRY

UNIT SHOWN AS GNE_xCP7-PT PRODUCT VERSION [v] = F (FIRE PRODUCT UL38) WITH FIRE DUTY LABEL BACK BOX WITH CABLE ENTRIES FACING DOWN

UNIT SHOWN AS GNE_xCP7-PM OR GNE_xCP7-PT PRODUCT VERSION [v] = A WITH STANDARD DUTY LABEL BACK BOX WITH CABLE ENTRIES FACING UP



Ø 6.4mm [0.25in] MOUNTING HOLES 4 OFF



FOR OPTIONAL LED USE LED INDICATOR [u] = L or C SHOWN POPULATED IN SIDE ENTRY WHEN NO LED IS REQUIRED USE LED INDICATOR [u] = X

E2S PART No.	DESCRIPTION	DATA REFERENCE
GNE _x CP7-PT	GRP PUSH BUTTON (TOOL RESET) CALL POINT GENERAL SIGNALING & UL 38 VERSIONS	1-24-160
GNE _x CP7-PM	GRP PUSH BUTTON (MOMENTARY) CALL POINT GENERAL SIGNALING	1-24-170

NOTES :-

FOR OPTIONAL DUTY LABEL SEE DRAWING D254-00-011
FOR OPTIONAL TAG PLATE SEE DRAWING D254-00-111

STANDARDS PRODUCT REF	DRAWN	DATE	SURFACE FINISH	WEIGHT (kg)
	R.N.POTTS	29-03-2019		
	CHECKED	DATE	MATERIAL	
B.ISARD	29-03-2019			
APPROVED	DATE	ALTERNATIVE MATERIAL		
R.N.POTTS	29-03-2019			

THIS DRAWING AND ANY INFORMATION OR DESCRIPTIVE MATTER THEREIN IS COMMUNICATED IN CONFIDENCE AND IS THE COPYRIGHT PROPERTY OF EUROPEAN SAFETY SYSTEMS LTD. NEITHER THE WHOLE OR ANY EXTRACT MAY BE DISCLOSED, LOANED, COPIED OR USED FOR MANUFACTURING OR TENDERING PURPOSES WITHOUT THEIR WRITTEN CONSENT.

EUROPEAN SAFETY SYSTEMS LTD.
AS PER LATEST DATE OF ISSUE SHOWN ABOVE

e2s
European Safety Systems Ltd
IMPRESS HOUSE
MANSELL ROAD
ACTON
LONDON W3 7QH
WWW.E2S.COM

ALL DIMENSIONS IN MM IF IN DOUBT, ASK - DO NOT SCALE		A1	
TITLE GNE _x CP7-PT & -PM PUSH BUTTON - TOOL RESET & MOMENTARY CALL POINT OUTLINE DRAWING		SCALE 1:1	SHEET 1 OF 1
DRAWING NUMBER D202-05-201			