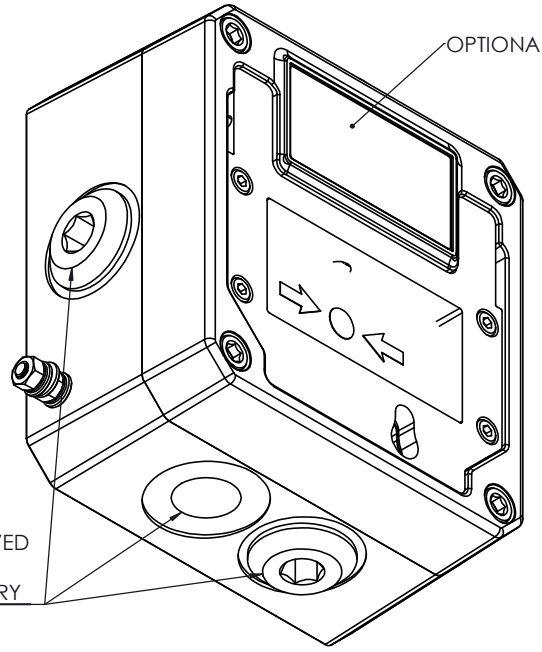


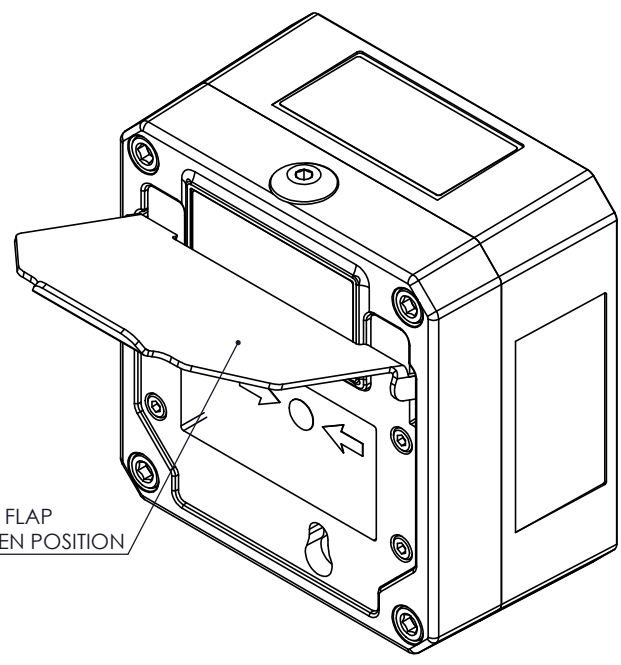
ISSUE	MOD No.	REASON - INITIAL - DATE
A		DRAWING CREATED FROM SK0448 RSR 03-02-20
B		OPTIONAL TAG REMOVED LABEL NOTES ADDED MM 31-07-2023
C		Changed to bottom entries configuration. MM 11-11-2024



OPTIONAL DUTY LABEL LOCATION

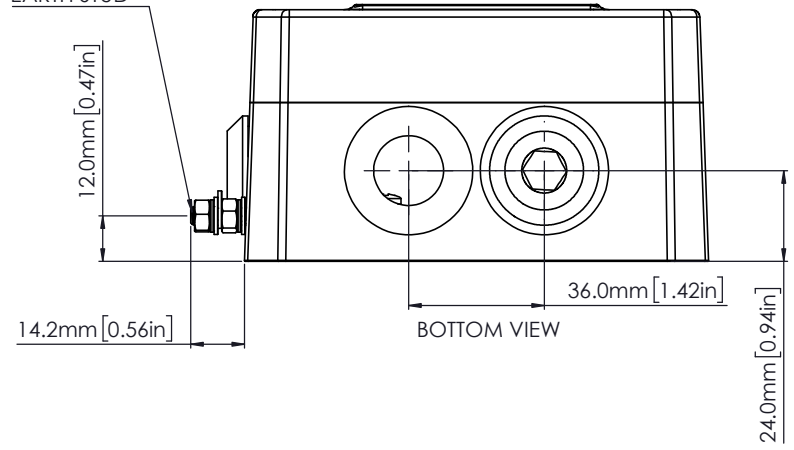
3 OFF M20x1.5mm Ex d APPROVED
CABLE GLAND OR STOPPING
PLUGS TO BE USED IN EACH ENTRY

NOTE : BACK BOX CAN BE
ORIENTATED WITH DUAL
CABLE ENTRIES FACING UP
OR DOWN

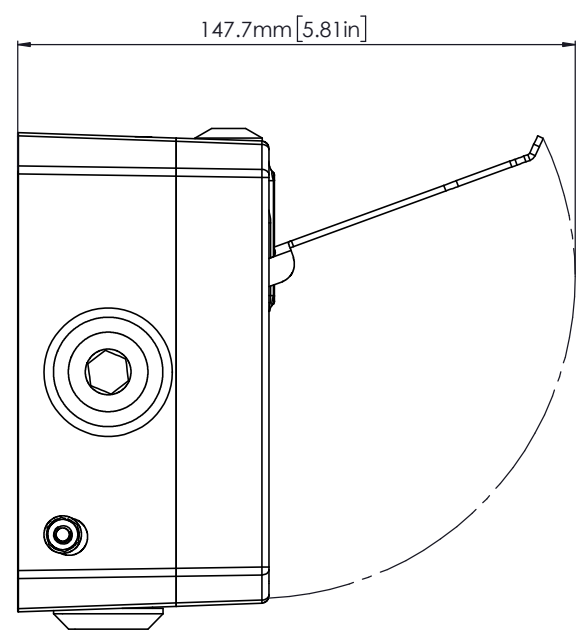


OPTIONAL LIFT FLAP
SHOWN IN OPEN POSITION

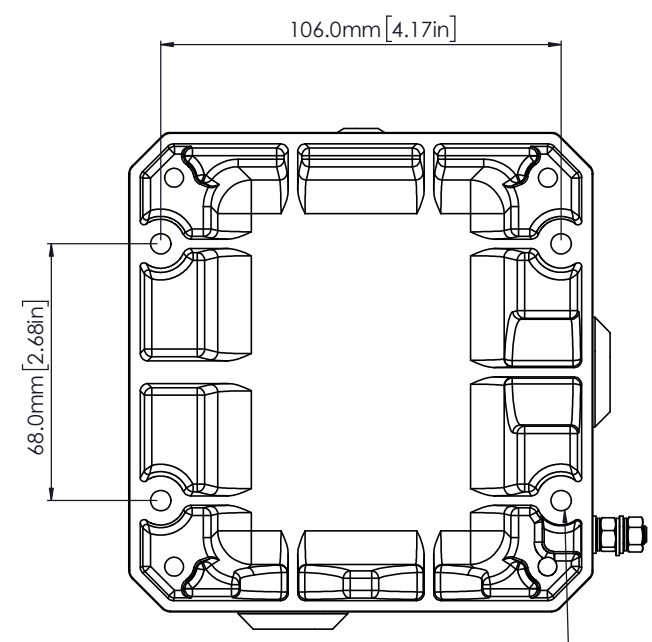
EXTERNAL M5
EARTH STUD



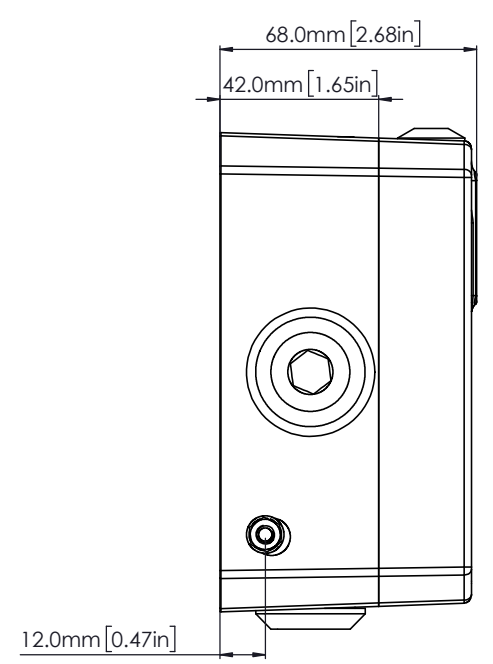
BOTTOM VIEW



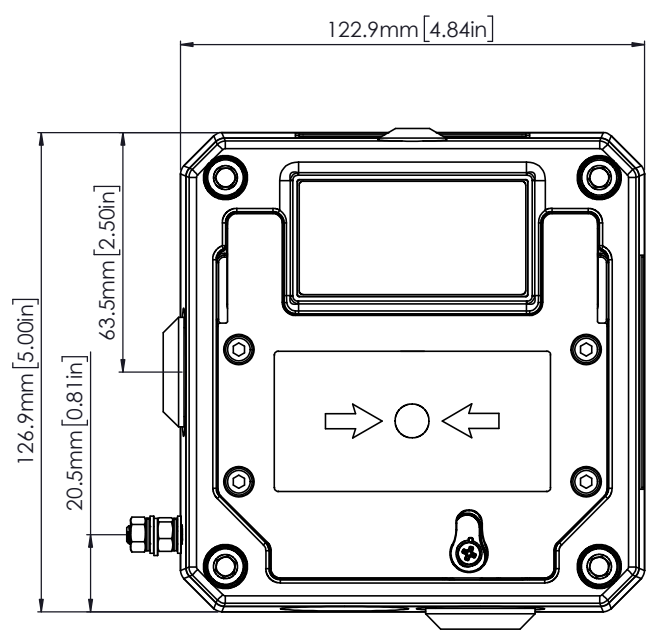
SIDE VIEW SHOWN WITH FLIP LID OPEN



Ø5.4mm [Ø0.21 in.] MOUNTING
HOLES 4 OFF



SIDE VIEW SHOWN WITH NO FLIP LID



E2S PART No. REFERENCE	DESCRIPTION	DATA
STExCP8-BG...	STAINLESS STEEL CP8 BREAKGLASS CALL POINT	1-24-120

NOTES :
FOR OPTIONAL DUTY LABEL SEE DRAWING D254-00-011
FOR OPTIONAL TAG PLATE SEE DRAWING D254-00-111

DRAWING TO BS8888:2000 GEOMETRIC TOLERANCES TO ISO1101:1983 LINEAR DIMENSIONAL TOOLS ANGULAR DIMENSIONAL TOOLS	DRAWN R.S.RAIT	DATE 24-10-16	SURFACE FINISH	WEIGHT (kg)	THIS DRAWING AND ANY INFORMATION OR DESCRIPTIVE MATTER THEREIN IS COMMUNICATED IN CONFIDENCE AND IS THE COPYRIGHT PROPERTY OF EUROPEAN SAFETY SYSTEMS LTD. NEITHER THE WHOLE OR ANY EXTRACT MAY BE DISCLOSED, LOANED, COPIED OR USED FOR MANUFACTURING OR TENDERING PURPOSES WITHOUT THEIR WRITTEN CONSENT.	 EUROPEAN SAFETY SYSTEMS LTD IMPRESS HOUSE MANSELL ROAD ACTON LONDON W3 7QH WWW.E2S.COM	ALL DIMENSIONS IN MM IF IN DOUBT, ASK - DO NOT SCALE	 A1	
	CHECKED B.ISARD	DATE 24-10-16	MATERIAL						
STANDARDS PRODUCT REF	APPROVED R.N.POTTS	DATE 24-10-16	ALTERNATIVE MATERIAL		EUROPEAN SAFETY SYSTEMS LTD. AS PER LATEST DATE OF ISSUE SHOWN ABOVE	 TITLE STExCP8-BG BREAK GLASS OUTLINE DRAWING	SCALE 1:1	SHEET 1 OF 1	DRAWING NUMBER D204-05-001